

Floodlight

Series 6521/4



www.stahl.de



09678E00

- > The enclosure made of stainless steel V4A, V2A or powder coated sheet steel is available
- > Broad or narrow beam reflectors and/or asymmetrical lamp fitting
- > Series 6521/3 explosion protected floodlight as spotlight with asymmetrical flat optics reflector
- > It can be selected in 3 sizes that match its power

E2



Series 6521/4 explosion protected floodlight for use in explosive gas atmospheres of Zone 2 as well as in areas with combustible dust of Zone 21 and Zone 22.

Zone	ATEX / IECEx					
	0	1	2	20	21	22
For use in			x		x	x

WebCode 6521B

Floodlight

Series 6521/4

Selection Table

Version	Enclosure	Lamp capacity			Temperature class at Ta =			Order number	Weight
		Lampholder	Lamps ¹⁾	Power	40 °C	50 °C	T _{o max.} at Ta = 40 °C		
Floodlight size 1	Sheet steel powder coated	E27	QT	150 W	T3	T3	156 °C	6521/4111-115-023-1-230-50	8.293
			QT	250 W	T2	T2	202 °C	6521/4111-125-023-1-230-50	9.493
			HIT	70 W	T4	T3	121 °C	6521/4111-207-123-1-230-50	9.493
			HIT	100 W	T3	T3	140 °C	6521/4111-210-123-1-230-50	10.893
			HIT	150 W	T3	--	165 °C	6521/4111-215-123-1-230-50	11.963
			HST	70 W	T4	T3	121 °C	6521/4111-307-123-1-230-50	9.493
	Stainless steel V2A	E27	QT	150 W	T3	T3	156 °C	6521/4111-115-023-3-230-50	8.130
				250 W	T2	T2	202 °C	6521/4111-125-023-3-230-50	8.130
			HIT	70 W	T4	T3	121 °C	6521/4111-207-123-3-230-50	9.330
				100 W	T3	T3	140 °C	6521/4111-210-123-3-230-50	10.730
				150 W	T3	--	165 °C	6521/4111-215-123-3-230-50	11.800
			HST	70 W	T4	T3	121 °C	6521/4111-307-123-3-230-50	9.330
	Stainless steel V4A	E27	QT	150 W	T3	T3	156 °C	6521/4111-115-023-4-230-50	8.130
				250 W	T2	T2	202 °C	6521/4111-125-023-4-230-50	8.130
			HIT	70 W	T4	T3	121 °C	6521/4111-207-123-4-230-50	9.330
				100 W	T3	T3	140 °C	6521/4111-210-123-4-230-50	10.730
				150 W	T3	--	165 °C	6521/4111-215-123-4-230-50	11.800
			HST	70 W	T4	T3	121 °C	6521/4111-307-123-4-230-50	9.330
Floodlight size 2	Sheet steel powder coated	E40	QT	500 W	T3	T3	180 °C	6521/4212-150-023-1-230-50	15.570
			HST	150 W	T4	T3	130 °C	6521/4212-315-123-1-230-50	17.780
			HIT/HST	250 W	T3	T3	156 °C	6521/4212-625-123-1-230-50	19.280
	Stainless steel V2A	E40	QT	500 W	T3	T3	180 °C	6521/4212-150-023-3-230-50	15.300
			HST	150 W	T4	T3	130 °C	6521/4212-315-123-3-230-50	17.500
			HIT/HST	250 W	T3	T3	156 °C	6521/4212-625-123-3-230-50	19.000
	Stainless steel V4A	E40	QT	500 W	T3	T3	180 °C	6521/4212-150-023-4-230-50	15.300
			HST	150 W	T4	T3	130 °C	6521/4212-315-123-4-230-50	17.500
			HIT/HST	250 W	T3	T3	156 °C	6521/4212-625-123-4-230-50	19.000

Floodlight

Series 6521/4



Selection Table

Version	Enclosure	Lamp capacity			Temperature class at Ta =			Order number	Weight
		Lampholder	Lamps ¹⁾	Power	40 °C	50 °C	T _{o max.} at Ta = 40 °C		
Floodlight size 3	Sheet steel powder coated	E40	QT	500 W	T3	T3	147 °C	6521/4312-150-023-1-230-50	22.590
				1000 W	T2	T2	230 °C	6521/4312-111-023-1-230-50	22.490
			HST	600 W	T3	T2	190 °C	6521/4312-360-123-1-230-50	29.190
		HIT/HST	250 W	T4	T3	125 °C	6521/4312-625-123-1-230-50	24.990	
			400 W	T3	T3	160 °C	6521/4312-640-123-1-230-50	25.590	
	Stainless steel V2A	E40	QT	500 W	T3	T3	147 °C	6521/4312-150-023-3-230-50	22.100
				1000 W	T2	T2	230 °C	6521/4312-111-023-3-230-50	22.100
			HST	600 W	T3	T2	190 °C	6521/4312-360-123-3-230-50	28.800
		HIT/HST	250 W	T4	T3	125 °C	6521/4312-625-123-3-230-50	24.600	
			400 W	T3	T3	160 °C	6521/4312-640-123-3-230-50	25.200	
Stainless steel V4A	E40	QT	500 W	T3	T3	147 °C	6521/4312-150-023-4-230-50	22.100	
			1000 W	T2	T2	230 °C	6521/4312-111-023-4-230-50	22.100	
		HST	600 W	T3	T2	190 °C	6521/4312-360-123-4-230-50	28.800	
	HIT/HST	250 W	T4	T3	125 °C	6521/4312-625-123-4-230-50	24.600		
		400 W	T3	T3	160 °C	6521/4312-640-123-4-230-50	25.200		

Order Number Supplement

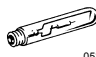
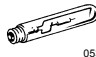







Reflector, symmetrical	broad-beamed (standard)	6521/4.1.-...-...3-.....
	narrow beamed	6521/4.2.-...-...3-.....
Reflector, asymmetrical	broad-beamed	6521/4.3.-...-...3-.....
Compensation	without	6521/4.-...-...-0.3-.....
	with	6521/4.-...-...-1.3-.....
Rated voltage	Specify rated voltage	

Note

- 1) QT → Halogen lamps
 - HIT → Metal halide lamps
 - HST → High-pressure sodium lamps
 - HIT/HST → Metal halide lamps / High-pressure sodium lamps
- The floodlights are delivered without lamps; mounting bracket is delivered standard. Additional mounting accessories must be ordered separately.
 - Cable gland M20 x 1.5; connection range \varnothing 6 ... 13 mm (standard)
Cable gland M25 x 1.5; connection range \varnothing 10 ... 17 mm

E2

Accessories and Spare Parts

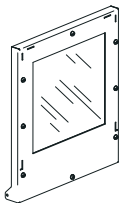


Designation	Illustration	Description				Art. no.	Weight	
							kg	
Halogen lamps QT	 05355E00	Power	Lamp holder	Voltage	Lighting current			
		150 W	E27	230 V	2500 lm	108871	0.040	
		205 W	E27	230 V	4200 lm	203469	0.100	
		500 W	E40	230 V	10250 lm	108874	0.132	
		1000 W	E40	230 V	24000 lm	108872	0.152	
Metal-halide lamps HIT / HIE	 05355E00	Power	Lamp-holder	Voltage	Lighting current			
		70 W	E27	230 V	7000 lm	109128	0.090	
		100 W	E27	230 V	7700 lm	109308	0.420	
	 04963E00	150 W	E27	230 V	11500 lm	109309	0.110	
		 05355E00	150 W	E40	230 V	14500 lm	109130	0.175
			250 W	E40	230 V	20000 lm	109132	0.200
400 W	E40	230 V	42000 lm	109134	0.235			
High-pressure sodium lamps HST	 05355E00	Power	Lamp-holder	Voltage	Lighting current			
		70 W	E27	230 V	6600 lm	109127	0.070	
		150 W	E40	230 V	17500 lm	109129	0.170	
		250 W	E40	230 V	33200 lm	109131	0.213	
		400 W	E40	230 V	56500 lm	109133	0.210	
600 W	E40	230 V	90000 lm	109310	0.220			
Light visor	 09785E00	Stainless steel; attaches to front cover						
		for 6521/.1				123494	0.775	
		for 6521/.2				123498	2.060	
for 6521/.3				123501	2.460			
Baffle screen	 09786E00	Stainless steel; attaches to front cover						
		for 6521/.1				123506	1.170	
		für 6521/.2				123507	2.290	
for 6521/.3				123508	3.390			
Mounting base (rotatable)	 09787E00	Stainless steel for all sizes				123495	3.810	
Pole mounting attachment	 09788E00	For installation on end of pole (stainless steel)						
		Ø 60 mm				123493	4.430	
		Ø 76 mm				123497	5.260	
Ø 89 mm				123500	4.640			

E2

Floodlight

Series 6521/4

Accessories and Spare Parts

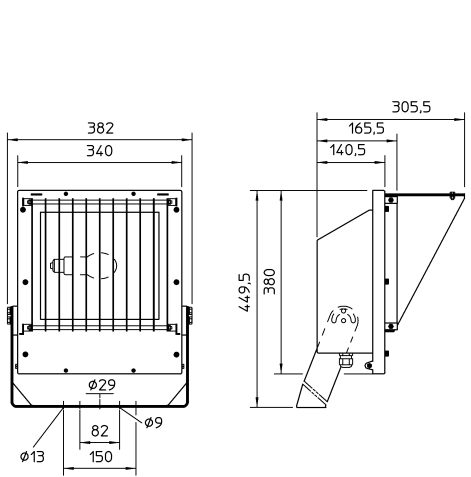
Designation	Illustration	Description	Art. no.	Weight
Cover with window	 15083E00	Cover with glass for replacement		kg
		for 6521/41 Sheet steel powder coated RAL 7032	209329	2.694
		for 6521/41 Stainless steel 1.4301 (V2A)	207484	2.650
		for 6521/41 Stainless steel 1.4404 (V4A)	209328	2.650
		for 6521/42 Sheet steel powder coated RAL 7032	209336	5.059
		for 6521/42 Stainless steel 1.4301 (V2A)	207485	5.000
		for 6521/42 Stainless steel 1.4404 (V4A)	209335	5.000
		for 6521/43 Sheet steel powder coated RAL 7032	209189	6.583
		for 6521/43 Stainless steel 1.4301 (V2A)	207486	6.500
for 6521/43 Stainless steel 1.4404 (V4A)	209188	6.500		
Cable gland	 09727E00	Brass, nickel-plated with O-ring		
		M20	109582	0.040
Stopping plug	 09726E00	M20	106037	0.010
		Brass, nickel-plated with O-ring		
		M20	106132	0.015
		M25	106133	0.024

Floodlight

Series 6521/4

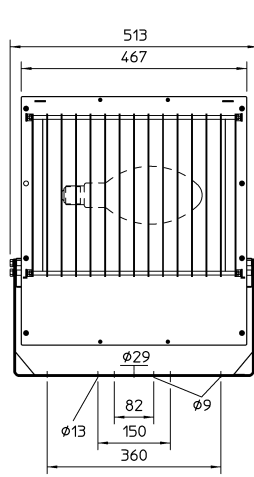


Dimensional Drawings (All Dimensions in mm) - Subject to Alterations



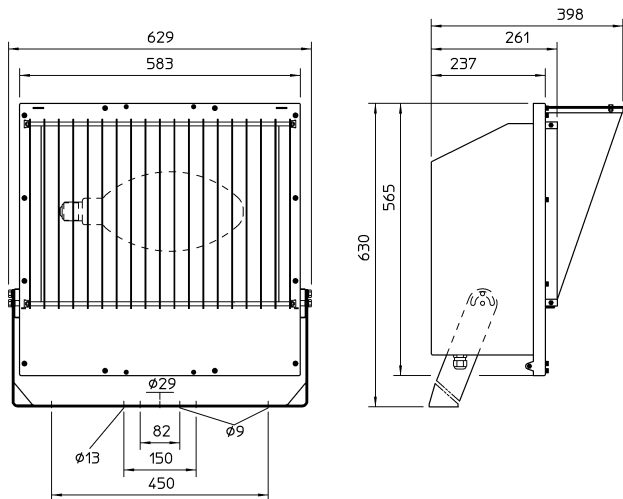
09721E00

Size 1, 6521/41¹⁾



09722E00

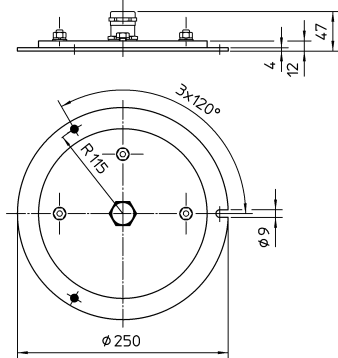
Size 2, 6521/42¹⁾



09723E00

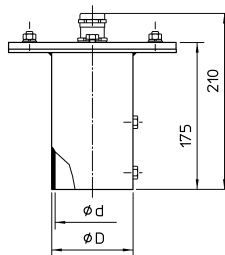
Size 3, 6521/43¹⁾

1) Shown with baffle screen and light visor, both parts are accessories and are not included in the standard scope of delivery



09725E00

Mounting base (rotatable)



09724E00

Pole mounting attachment

D	d
97	89
89	76
75	60

Accessories

We reserve the right to make alterations to the technical data, dimensions, weights, designs and products available without notice. The illustrations cannot be considered binding.