



01696e00

Portable Lamps Series 6143

- For Use in Zones 1, 2, 21, 22
- With or without emergency light function
- Robust, easy-to-maintain design
- 3-position switch
 - Half strength
 - Full strength
 - OFF
- Residual charge indicator
- Deep discharge protection
- Maintenance-free, long-life NiCD battery
- Narrow or wide beam reflectors

Selection table

Version	Description	Ordering code	Weight kg
6143/3 Portable lamps	Portable lamp without emergency light function *	6143/3-65	1,3
	Portable lamp with emergency light function *	6143/4-65	1,3
6143/9 Charging units	Charging unit with power supply unit 230 V AC, 50 Hz	6143/95	1,2
	Charging unit without power supply unit Input voltage 12 V ... 30 V DC	6143/94	0,476

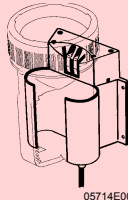
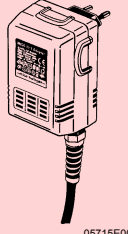

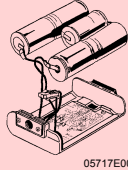
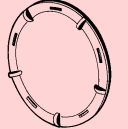
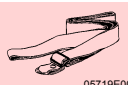




6143 portable lamps are supplied with batteries and lamps

Zones 1 & 2; 21 & 22

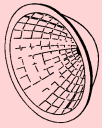


Technical Data

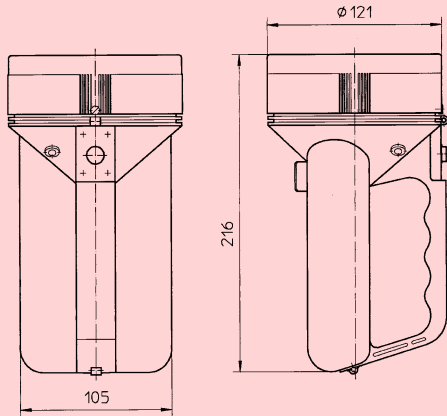
Explosion protection	
Gas explosion protection	⊕ II 2 G EEx e ib IIC T ¹⁾ (1) T4 at T _a ≤ 35 °C; T3 at T _a ≤ 40 °C)
Dust explosion protection	⊕ II 2 D IP66 T ₀ ²⁾ (2) 135 °C at T _a ≤ 35 °C; 200 °C at T _a ≤ 40 °C)
Certificates	
for gas explosion protection	VTT 04 ATEX 009X
for dust explosion protection	VTT 04 ATEX 009X
Enclosure	Moulded plastic, antistatic, impact-resistant
Degree of protection	IP 66
Lamps	Halogen lamp 2,4 W
Light aperture	∅ 100 mm
Reflector	Standard: Spot light Special: wide beam reflector (spot-light with ambient light)
Reflector	Mirror finish aluminium reflector
Switch	3-position switch, Half / Full / OFF
Luminance time per charge	
Half strength	15 h
Full strength	10 h
Elektronics	
Residual charge indicator	At 5 % ... 10 % residualcharge in battery, lamp flashes at 15 second intervals. Remaining operating time is between 10 and 30 minutes - depending on light intensity and battery condition.
Deep discharge protection	Automatic switch-off before deep discharge
Battery	NiCd; 6 V; 5,0 Ah
Ambient temperature	- 20 °C ... + 35 °C / 40 °C
Emergency light function	Portable lamp with emergency light function 6143/4-65 On power failure, this lamp, when parked in its charging unit, automatically comes on and illuminates the surroundings. A green LED on the enclosure indicates readiness for operation.
Charging unit	
Application	For fixed mounting outside hazardous area Note: Mounting and battery charging are allowed only outside explosion risk area!
Material of enclosure	Aluminium, lackiert
Degree of protection	IP 44
Function	Charging starts when lamp is inserted in to charging unit green LED (charging indicator): ON
Charging	When fully charged, charging unit switches to trickle charge, which keeps battery fully charged. Green LED indicator flashes.
Charging time	9 h ... 10 h
Supply voltage	12 V ... 30 V, DC
Charging current	650 mA
Trickle charging current	190 mA
Operating temperature range	- 0 °C ... + 40 °C
Power supply unit (680 666 0)	Input 230 V AC Output 12 V DC

Accessories and spare parts				
Designation	Illustration	Description	Ordering code	Weight kg
Charging unit	 05714E00	6143/94: Without mains unit; 12 V ... 30 V, DC	6143003010	0,476
		6143/95: With mains unit; 230 V, AC / 50 Hz	6143004010	1,200
Power supply unit	 05715E00	Power supply unit; 230 V, AC / 50 Hz for connection to charging unit 6143/94	6806660	0,400
Supply lead	 05716E00	12 V / 24 V, DC; supply lead 3 m long; to connect to charging unit to a vehicle battery	3856380	0,098
Battery set	 05717E00	5,0 Ah; NiCd, gas-tight battery (supplied)	6726020	0,717
Diffusing lens	 05718E00	red; can be placed on lamp front	3856320	0,400
Carrying strap	 05719E00	Shoulder length carrying strap, which can be fitted to existing eyelets	3856330	0,030
Support	 05720E00	To support lamp on an even surface, easy „ratchet“ angle adjustment	3856310	0,154
Lamps	 05721E00	Krypton lamp; 6 V; 3.3 W P13.5s (for versions 6145/3 and 6145/4)	5126610	0,002
		Halogen lamps 6 V, 2,4 W; P13,5X (for versions 6143/3 and 6143/4)	5126740	0,002
Glass lens	 05722E00	Ø 110 mm	3856350	0,010
O-ring seal	 05723E00	for glass lens	5158200	0,118

Accessories and spare parts

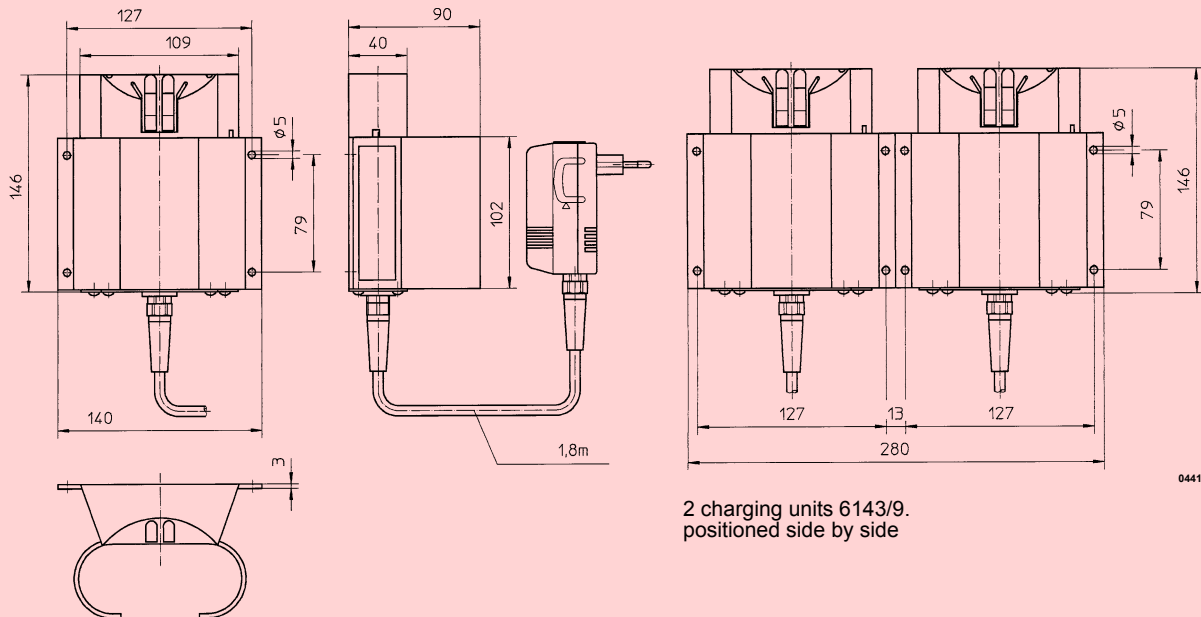
Designation	Illustration	Description	Ordering code	Weight kg
Reflector		Parabolic reflector (mirror finish aluminium) Standard: narrow beam (spotlight / narrow cone)	3856370	0,010
		Parabolic reflector (mirror finish aluminium) Special: wide beam (faceted reflector / for spotlight with ambient light)	3856340	0,500

Dimension drawings (all dimensions in mm) - subject to alteration



04397E00

Portable lamp 6143/-65



04411E00

2 charging units 6143/9.
positioned side by side

04410E00

Charging unit 6143/94 without power supply unit,
6143/95 with power supply unit

We reserve the right to make alterations to the technical data, weights, dimensions, designs and products available without notice. The illustrations cannot be considered binding.

