

# Cable End Boxes

## Series 8146



www.stahl.de



01367E00

- > Enclosures in glass fibre reinforced polyester resin
- > For terminals from 35 ... 185 mm<sup>2</sup>
- > Rated operational current up to max. 400 A depending on enclosure version and size
- > Degree of protection IP55

E3



The cable end boxes of the Series 8146 can be fitted with terminals up to a size of 185 mm<sup>2</sup>. The entry and exit cables are led through cable entry plates into the enclosure where they are fixed with strain relief clamps

The cable entry plates are equipped with rubber sleeves which can be cut to the correct size. This allows to insert cables with a diameter of up to 60 mm.

	ATEX / IECEx					
Zone	0	1	2	20	21	22
For use in		x	x			

### Explosion Protection

#### Marking

IECEX	Ex dem IIC/IIB/IIA T6, T5, T4
Europe (ATEX)	⊕ II 2 G Ex e II T6, T5

#### Certificates

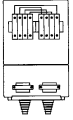
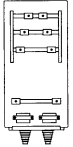
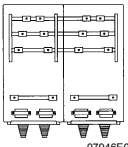
IECEX	IECEX PTB 06.0046
Europe (ATEX)	PTB 01 ATEX 1016

**WebCode 8146B**

# Cable End Boxes

## Series 8146

Selection Table

Version	Terminals	Rated current depending on the temperature class	PE terminals (size / number)	Arrangement	Order number	Weight kg
Cable End Boxes in Polyester Resin Series 8146	6 line-up terminals 70 mm <sup>2</sup>	160 A / T5 125 A / T6	70 mm <sup>2</sup> (2 pieces)	 07944E00	<b>8146/1000-C958</b>	9.500
	6 stud terminals 185 mm <sup>2</sup>	400 A / T5 315 A / T6	185 mm <sup>2</sup> (2 pieces)	 07945E00	<b>8146/1093-C924</b>	14.000
	12 stud terminals 185 mm <sup>2</sup>	400 A / T5 315 A / T6	185 mm <sup>2</sup> (4 pieces)	 07948E00	<b>8146/1000-C923</b>	28.700

### Technical Data

#### Electrical data

**Version**

Rated operational voltage  
Rated current depending on the temperature class

**8146/1000-C958**  
max. 750 V AC  
125 A / T6 160 A / T5

**8146/1093-C924**  
max. 750 V AC  
315 A / T6 400 A / T5

**8146/1000-C923**  
max. 750 V AC  
315 A / T6 400 A / T5

#### Ambient conditions

Ambient temperature - 40 ... + 55 °C

#### Mechanical data

**Version**

Degree of protection  
Terminals

Dimensions

**8146/1000-C958**  
IP55  
6 line-up terminals 70 mm<sup>2</sup>;  
2 PE line-up terminals 70 mm<sup>2</sup>  
526,5 x 340,5 x 150 mm

**8146/1093-C924**  
IP55  
6 stud terminals M12 185 mm<sup>2</sup>;  
2 PE line-up terminals 185 mm<sup>2</sup>  
696,3 x 340,5 x 150 mm

**8146/1000-C923**  
IP55  
12 stud terminals M12 185 mm<sup>2</sup>;  
4 PE line-up terminals 185 mm<sup>2</sup>  
696,3 x 682,2 x 150 mm

#### Mounting / Installation

**Version**

Cable entry

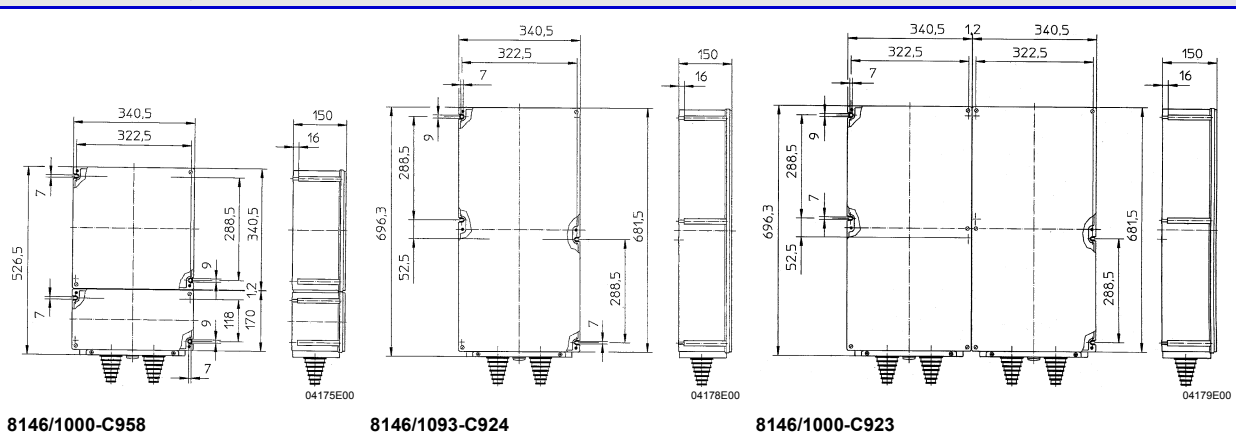
Internal wiring

**8146/1000-C958**  
Cable gland plate with  
2 rubber seals for cable diameters  
from 20 ... 60 mm  
Cable NSGAFöu 70; 70mm<sup>2</sup>

**8146/1093-C924**  
Cable gland plate with  
2 rubber seals for cable diameters  
from 20 ... 60 mm  
Copper bar 20 x 10 mm (E-Cu F30)

**8146/1000-C923**  
Cable gland plate with  
2 rubber seals for cable diameters  
from 20 ... 60 mm  
Copper bar 20 x 10 mm (E-Cu F30)

#### Dimensional Drawings (All Dimensions in mm) - Subject to Alterations



We reserve the right to make alterations to the technical data, weights, dimensions, designs and products available without notice. The illustrations cannot be considered binding.