



08473E00

- > Enclosure made of glass fibre reinforced polyester resin
- > 3 sizes available
- > Terminals and cable glands fitted to order
- > Enclosure design with integrated metal bracket for metal cable glands.
- > Degree of protection IP66



WebCode 8118B




	ATEX / IECEx / GOST					
Zone	0	1	2	20	21	22
For use in		x	x		x	x

Selection Table

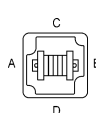
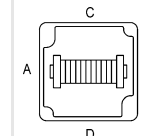
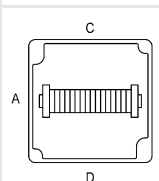

Version		Number of conductors per terminal	max. number of terminal blocks (rated cross-section 2.5 / 4 mm ²) / already equipped with (..) terminals	PE / PA terminals (rated cross-section 2.5 / 4 mm ²)	Cable entries	Order number	Art. no.	PS	Weight
									kg
Standard terminal boxes 8118/.12	Ex e	2	5	2	acc. to order	8118/112-K4	133262	10	0.360
	Ex i	2	5	2	acc. to order	8118/212-K4	133273	10	0.360
Standard terminal boxes 8118/.22	Ex e	2	11	2	acc. to order	8118/122-K4	133266	10	0.610
			11 (4)	2	1 x M25 with strain relief 1 x M25	8118/122-199-K0125	220336	10	0.580
Standard terminal boxes 8118/.32	Ex i	2	11	2	acc. to order	8118/222-K4	133276	10	0.610
	Ex e	2	16	2	acc. to order	8118/132-K4	133269	10	0.860
Terminal boxes with standard drillings for metal cable glands ^{*)} 8118/.22	Ex e	2	6	2	4 x M20	8118/122-331-GB	133117	10	0.720
					4 x M25	8118/122-305-GB	133123	10	0.720
Terminal boxes with standard drillings for metal cable glands ^{*)} 8118/.32	Ex e	3	5 (5)	2	3 x M25	8118/122-504-2	202995	10	0.680
					4 x M25	8118/132-542-2	202996	10	0.890

State with order: Type, number and size of cable entries.
Note: The prices include the enclosure equipped with MXK4 terminals. Cable entries are inserted according to order and charged separately.

^{*)} Enclosure with integrated metal bracket for metal cable glands.

Technical Data	
Explosion protection Global (IECEX) Gas and dust	IECEX PTB 06.0026 Ex e: Ex em II T6 / T5 / T4 Ex i: Ex ia/ib IIA / IIB / IIC T5 / T6 Ex tD A21 IP66 T80°C, T95°C, T130°C
Europe (ATEX) Gas and dust	PTB 99 ATEX 3103 Ex e:  II 2 G Ex em II T6, T5, T4 Ex i:  II 2 G Ex ia/ib IIA, IIB, IIC T6, T5  II 2 D Ex tD A21 IP66 T80°C, T95°C, T130°C
Certificates and approvals Certificates	IECEX, ATEX, Brazil (UL do Brasil), China (CQST Ex), India (PESO), Kazakhstan (GOST-K), Korea (KGS), Russia (GOST-R), Ukraine (GOST-U)
Other approvals	Ship approval (GL)
Degree of protection	IP66
Rated operational voltage	max. 1100 V AC / DC Depending on the terminals used

Max. Number of Cable Glands, Series 8161, to be Mounted

		Enclosure size/side		
		8118/.1.	8118/.2.	8118/.3.
		 09101E00	 09102E00	 09125E00
Type	Size	Side C / D	Side C / D	Side C / D
 Cable gland Series 8161 05864E00	M16 x 1.5	2	3	5
	M20 x 1.5	1	3	4
	M25 x 1.5	--	2	3
	M32 x 1.5	--	1	2

Note: Enclosures sides A and B must not be equipped with cable entries.

Dimensional drawings see junction boxes Series 8118