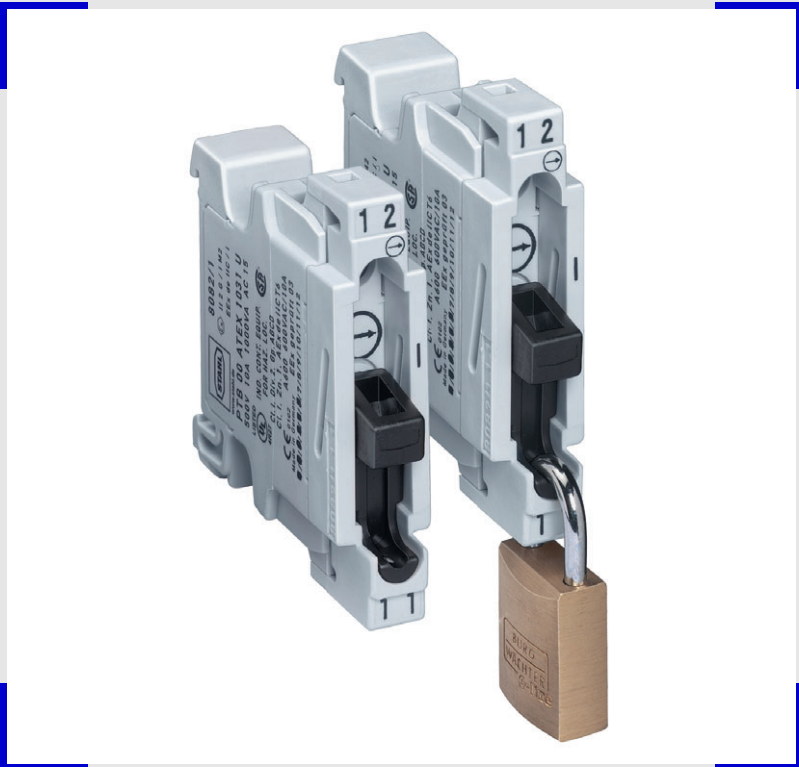


Isolating Terminal Series 8082



www.stahl.de



02164E00

- > Single pole, NC contact positive opening operation
- > For installation in Ex e enclosure
- > Clear switch position indication
- > Actuator padlockable in zero position
- > For snap-mounting or screw fixing via adaptor
- > Connection cross-section: 0.75 ... 2.5 mm² single-wire / finely stranded
- > Enclosure made of polyamide
- > Suitable for safety-relevant applications up to SIL 2 and SIL 3 according to IEC/EN 61508 in connection with control buttons of Series 8082



E3

The isolating terminals of Series 8082 can be used to manually isolate circuits for maintenance and test purposes. The isolating terminals are mounted in Ex e enclosures and may be operated in energized condition even in explosion-protected areas. When the contact is open, the incoming line terminal is covered. The actuator can be padlocked in zero position according to IEC/EN 60947-5-1 with a padlock. The devices can be combined into blocks using special top hat rails, which can be found in the accessories.

| ATEX / IECEx | | Class I (NEC 505) | | Class I (NEC 506) | | Class I | | Class II | | Class III | |
|--------------|----------------|-------------------|----------------|-------------------|-----|---------|-----|----------|-----|-----------|--|
| Zone | 0 1 2 20 21 22 | Zone | 0 1 2 20 21 22 | Division | 1 2 | 1 2 | 1 2 | 1 2 | 1 2 | 1 2 | |
| For use in | x x | For use in | x x | For use in | x | | | | | | |

| Explosion Protection | |
|----------------------|---|
| Marking | |
| IECEx Europe (ATEX) | II 2 G Ex de IIC (Ta = - 55 ... + 55 °C) |
| | Ⓔ II 2 G Ex de IIC (Ta = - 55 ... + 55 °C) |
| Certificates | |
| IECEx Europe (ATEX) | IECEx PTB 06.0011U |
| Other certificates | PTB 00 ATEX 1031 U India (PESO), Canada (CSA), USA (UL), Belarus (Gospromnadzor) |

WebCode 8082B

Isolating Terminal

Series 8082

Selection Table

| Version | Description | Order number | Weight kg |
|--------------------|----------------------------------|--------------------|--------------|
| Isolating Terminal | 1 NC, positive opening operation | 8082/1-1-01 | 0.030 |

Technical Data

Electrical data

| | | | | |
|---------------------------|------------------|--------------------------|---------------|---------------|
| Rated operational voltage | max. 550 V | | | |
| Rated operational current | AC-12: max. 10 A | | | |
| Switching capacity | AC-15 | 230 V / 6 A | 400 V / 2.5 A | |
| | DC-1 | L/R = 1 ms 60 V / 4 A | 110 V / 2.5 A | |
| | DC-11 | L/R = 15 ms | 60 V / 6 A | 110 V / 2.5 A |
| | | L/R = 30 ms | 4 A | 1.6 A |
| L/R = 100 ms | | 2.5 A | 1.0 A | |

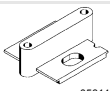

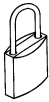
Ambient conditions

| | |
|---------------------|-------------------------------|
| Ambient temperature | see explosion protection data |
|---------------------|-------------------------------|

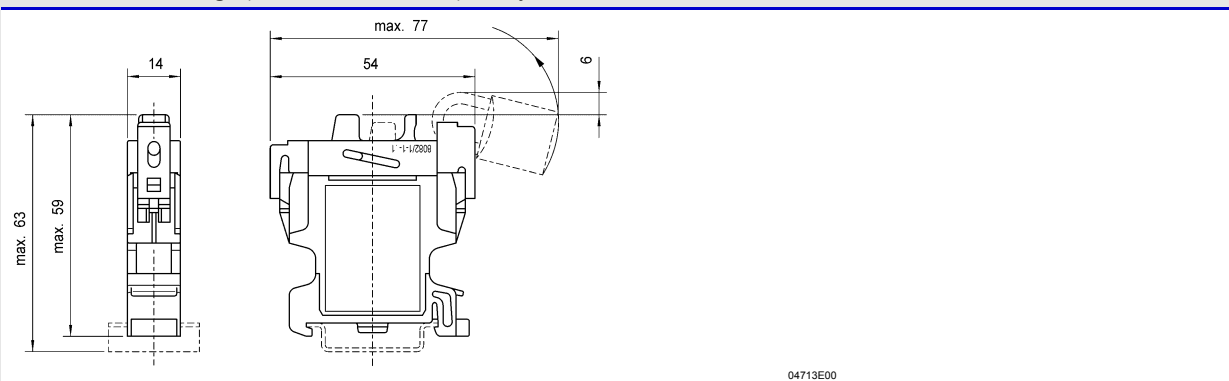
Mechanical data

| | |
|--------------------------|--|
| Enclosure material | Polyamide |
| Contact element | 1 NC, positive opening |
| Contact material | Silver-nickel |
| Operation | manual via actuating slide switch, padlockable in zero position (acc. to IEC/EN 60947-5-1) |
| Connection cross-section | 0.75 ... 2.5 mm ² single-wire / finely stranded |

Accessories and Spare Parts

| Designation | Illustration | Description | Art. no. | Weight kg |
|--|---|--|---------------|--------------|
| Adaptor |  05614E00 | to screw into Ex e enclosures; to attach the isolating terminals with screws, for example onto mounting plates; moulded plastic for two isolating terminals | 132702 | 0.007 |
| Top hat rails |  05597E00 | to screw into Ex e enclosures; for snapping on of the isolating terminals | | |
| | | Size 29 77 mm long, for max. 5 isolating terminals | 137812 | 0.024 |
| | | Size 30 133 mm long, for max. 9 isolating terminals | 137819 | 0.040 |
| | | Size 31 189 mm long, for max. 13 isolating terminals | 137827 | 0.060 |
| Size 32 301 mm long, for max. 21 isolating terminals | 137834 | 0.094 | | |
| Padlock |  05445E00 | for padlocking the actuator in zero position | 107115 | 0.015 |

Dimensional Drawings (All Dimensions in mm) - Subject to Alterations



We reserve the right to make alterations to the technical data, dimensions, weights, designs and products available without notice. The illustrations cannot be considered binding.