

Standard Motor Starters

Series 8264

CUBEX

STAHL



- > Enclosures with Ex d protection
- > Available standard motor starters:
 - Direct-on-line motor starters DOL
 - Star-delta starters YD
 - Reversing starter combinations
- > Advantage
 - Short time of delivery

www.stahl.de



10231E00

The standard motor starters described on the next page are fitted in flameproof enclosures. As standard the starters are supplied without main switch, starting transformer, main and starter fuses and without control and monitoring devices; these parts can however be fitted to order. Further details on request.

E7

	ATEX / IECEx						Class I (NEC 505) (NEC 506)						
Zone	0	1	2	20	21	22	Zone	0	1	2	20	21	22
For use in		x	x		x	x	For use in		x				

WebCode 8264D

Standard Motor Starters, Direct On-Line Motor Starters DOL Series 8264



Explosion Protection

Marking

IECEX	Ex d ... IIB + H2 T6 ... T4, Ex d ... IIB T6 ... T4
Gas explosion protection	Ex tD A21 IP66 T80°C ... T130°C
Dust explosion protection	Ex tD A21 IP66 T80°C ... T130°C
Europe (ATEX)	II 2 GD Ex d IIB T6 (others on request)

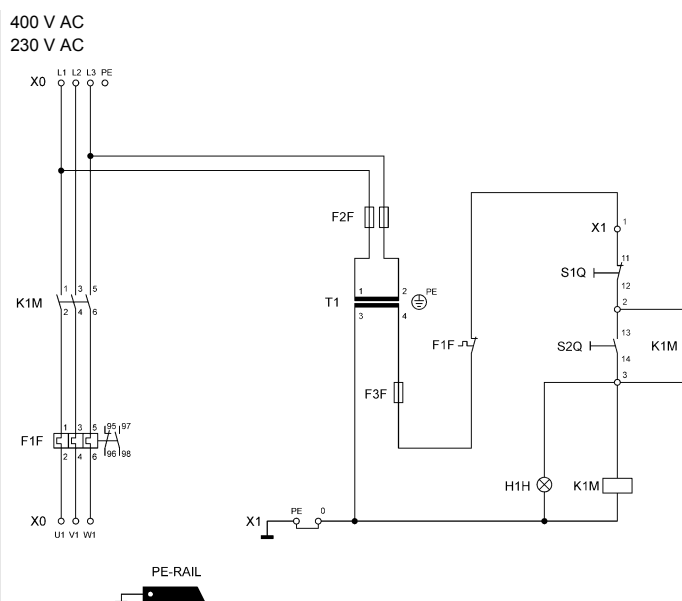
Certificates

IECEX	IECEX KEM 07.0051X
Europe (ATEX)	KEMA 01 ATEX 2145
Other certificates	Belarus (Gospromnadzor), Brazil (UL do Brasil), Canada (UL), India (PESO), Kazakhstan (JSC), Russia (CTB), USA (UL)

Technical Data

Electrical data

- Rated voltage
- Control voltage
- Circuit diagram



08726E00

Ambient conditions

Ambient temperature

standard:	- 20 ... + 40 °C
on request:	- 55 ... + 60 °C (IIB)
	- 20 ... + 60 °C (IIB + H2.)
	- 55 ... + 60 °C (tD)

Mechanical data

- Degree of protection
- Enclosure

IP66 (EN 60529)
Standard: Aluminium (saltwater-proof according to EN 13195-1)
Special: Stainless steel

Note

Description:
Contactor for switching on and off of motor circuits and ohmic consumers.
With thermal excess-current release, design with control transformer acc. to EN 6 204.
To select the control transformer please state the rated voltage of the power supply.

Direct On-Line Motor Starters DOL Selection Table

Breaking capacity 400 V AC-3	Ex d Enclosure	Cross section for connection	Cable entries, bottom	Ordering code
5.5 kW	8264/5212	4 x 6 mm ² 3 x 4 mm ²	1 x M32 3 x M25	8264/5-SM-ES5,5kW400V-T
7.5 kW	8264/5212	4 x 10 mm ² 3 x 6 mm ²	1 x M32 3 x M25	8264/5-SM-ES7,5kW400V-T
11 kW	8264/5212	4 x 10 mm ² 3 x 6 mm ²	1 x M32 3 x M25	8264/5-SM-ES11kW400V-T
15 kW	8264/5212	4 x 16 mm ² 3 x 6 mm ²	1 x M32 3 x M25	8264/5-SM-ES15kW400V-T
18.5 kW	8264/5212	4 x 16 mm ² 3 x 10 mm ²	1 x M32 3 x M25	8264/5-SM-ES18,5kW400V-T
22 kW	8264/5212	4 x 35 mm ² 3 x 10 mm ²	1 x M40 1 x M32 2 x M25	8264/5-SM-ES22kW400V-T
30 kW	8264/5222	4 x 35 mm ² 3 x 16 mm ²	1 x M40 1 x M32 2 x M25	8264/5-SM-ES30kW400V-T
37 kW	8264/5222	4 x 35 mm ² 3 x 16 mm ²	1 x M40 1 x M32 2 x M25	8264/5-SM-ES37kW400V-T
45 kW	8264/5222	4 x 50 mm ² 3 x 35 mm ²	1 x M50 1 x M40 2 x M25	8264/5-SM-ES45kW400V-T
55 kW	8264/5323	4 x 50 mm ² 3 x 35 mm ²	1 x M50 1 x M40 2 x M25	8264/5-SM-ES55kW400V-T
75 kW	8264/5323	4 x 50 mm ² 3 x 35 mm ²	1 x M50 1 x M40 2 x M25	8264/5-SM-ES75kW400V-T

Standard Motor Starters, Star-Delta Contactor Starters YD

Series 8264

CUBEX



Explosion Protection

Marking

IECEX	Ex d ... IIB + H2 T6 ... T4., Ex d ... IIB T6 ... T4
Gas explosion protection	Ex tD A21 IP66 T80°C ... T130°C
Dust explosion protection	Ⓜ II 2 GD Ex d IIB T6 (others on request)
Europe (ATEX)	

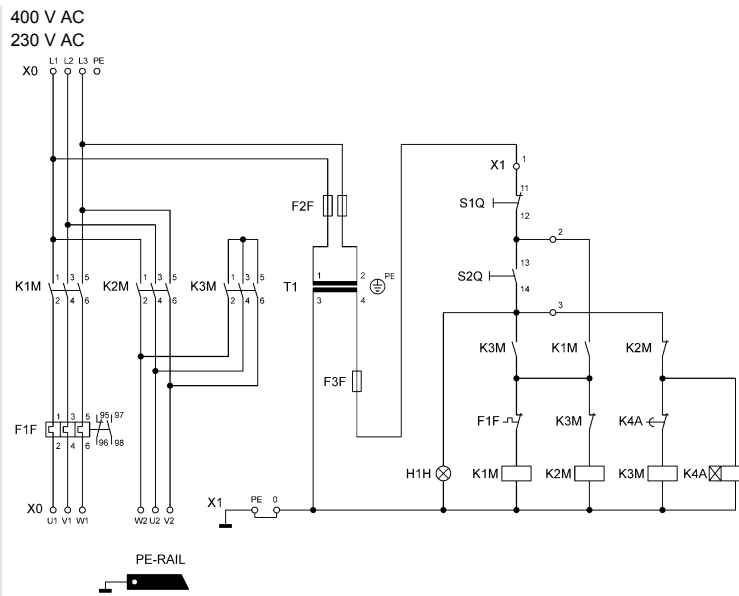
Certificates

IECEX	IECEX KEM 07.0051X
Europe (ATEX)	KEMA 01 ATEX 2145
Other certificates	Belarus (Gospromnadzor), Brazil (UL do Brasil), Canada (UL), India (PESO), Kazakhstan (JSC), Russia (CTB), USA (UL)

Technical Data

Electrical data

- Rated voltage
- Control voltage
- Circuit diagram



10042E00

Ambient conditions

Ambient temperature	standard:	- 20 ... + 40 °C
	on request:	- 55 ... + 60 °C (IIB) - 20 ... + 60 °C (IIB + H2.) - 55 ... + 60 °C (tD)

Mechanical data

Degree of protection	IP66 (EN 60529)
Enclosure	Standard: Aluminium (saltwater-proof according to EN 13195-1) Special: Stainless steel
Note	Description: Contactor combination for switching on and off of motor circuits and ohmic consumers. With thermal excess-current release, design with control transformer acc. to EN 60204. To select the control transformer please state the rated of the power supply.

Star-Delta Contactor Starters YD

Selection Table

Breaking capacity 400 V AC-3	Ex d Enclosure	Cross section for connection	Cable entries, bottom	Ordering code
11 kW	8264/5222	4 x 6 mm ² 6 x 4 mm ²	3 x M32 2 x M25	8264/5-SL-SS11kW400V-T
15 kW	8264/5222	4 x 6 mm ² 6 x 4 mm ²	3 x M32 2 x M25	8264/5-SL-SS15kW400V-T
18.5 kW	8264/5222	4 x 6 mm ² 6 x 4 mm ²	3 x M32 2 x M25	8264/5-SL-SS18,5kW400V-T
22 kW	8264/5222	4 x 10 mm ² 6 x 6 mm ²	3 x M32 2 x M25	8264/5-SL-SS22kW400V-T
30 kW	8264/5323	4 x 16 mm ² 6 x 6 mm ²	3 x M40 2 x M25	8264/5-SL-SS30kW400V-T
37 kW	8264/5323	4 x 35 mm ² 6 x 10 mm ²	3 x M40 2 x M25	8264/5-SL-SS37kW400V-T
45 kW	8264/5323	4 x 35 mm ² 6 x 16 mm ²	1 x M50 2 x M40 2 x M25	8264/5-SL-SS45kW400V-T
55 kW	8264/5323	4 x 50 mm ² 6 x 35 mm ²	1 x M50 2 x M40 2 x M25	8264/5-SL-SS55kW400V-T
75 kW	8264/5323	4 x 50 mm ² 6 x 35 mm ²	1 x M50 2 x M40 2 x M25	8264/5-SL-SS75kW400V-T
90 kW	8264/5933	4 x 95 mm ² 6 x 50 mm ²	1 x M63 2 x M40 2 x M25	8264/5-SL-SS90kW400V-T
110 kW	8264/5933	4 x 150 mm ² 6 x 95 mm ²	1 x M63 2 x M50 2 x M25	8264/5-SL-SS110kW400V-T
132 kW	8264/5993	4 x 150 mm ² 6 x 95 mm ²	1 x M63 2 x M50 2 x M25	8264/5-SL-SS132kW400V-T
160 kW	8264/5993	4 x 240 mm ² 6 x 150 mm ²	3 x M63 2 x M25	8264/5-SL-SS160kW400V-T
200 kW	8264/5993	4 x 240 mm ² 6 x 150 mm ²	3 x M63 2 x M25	8264/5-SL-SS200kW400V-T

Standard Motor Starters, Reversing Starter Combinations

Series 8264



Explosion Protection

Marking

IECEX	Ex d ... IIB + H2 T6 ... T4, Ex d ... IIB T6 ... T4
Gas explosion protection	Ex tD A21 IP66 T80°C ... T130°C
Dust explosion protection	
Europe (ATEX)	Ⓜ II 2 GD Ex d IIB T6 (others on request)

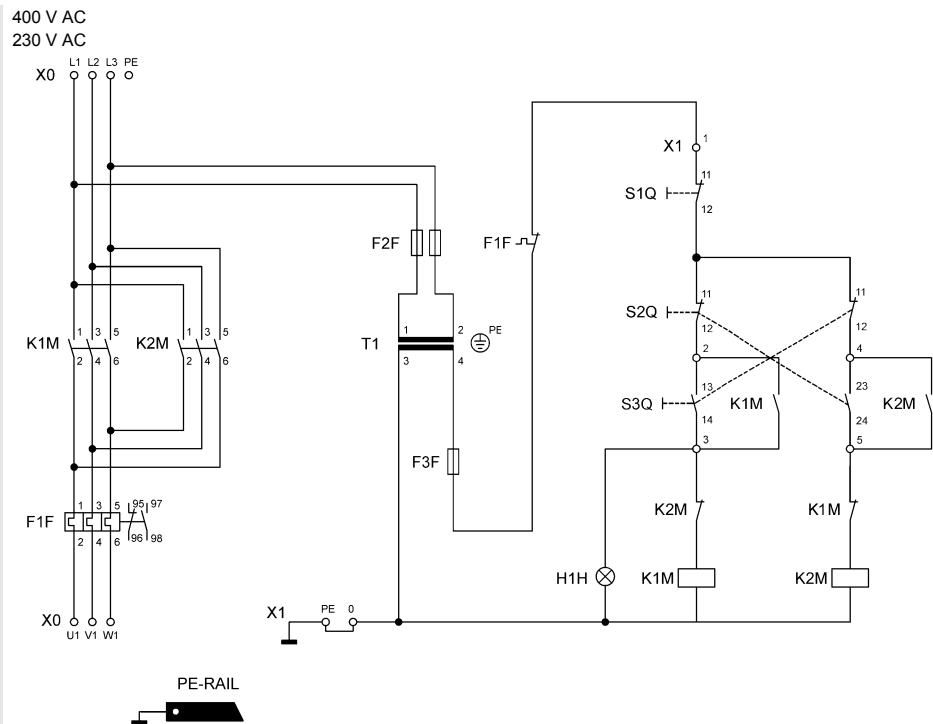
Certificates

IECEX	IECEX KEM 07.0051X
Europe (ATEX)	KEMA 01 ATEX 2145
Other certificates	Belarus (Gospromnadzor), Brazil (UL do Brasil), Canada (UL), India (PESO), Kazakhstan (JSC), Russia (CTB), USA (UL)

Technical Data

Electrical data

- Rated voltage
- Control voltage
- Circuit diagram



10044E00

Ambient conditions

Ambient temperature	standard: - 20 ... + 40 °C
	on request: - 55 ... + 60 °C (IIB)
	- 20 ... + 60 °C (IIB + H2.)
	- 55 ... + 60 °C (tD)

Mechanical data

Degree of protection	IP66 (EN 60529)
Enclosure	Standard: Aluminium (saltwater-proof according to EN 13195-1) Special: Stainless steel
Note	Description: Contactor combination for changing direction of rotation of motor circuits. With thermal excess-current release, design with control transformer acc. to EN 60204. To select the control transformer please state the rated voltage of the power supply.

Reversing Starter Combinations Selection Table

Breaking capacity 400 V AC-3	Ex d Enclosure	Cross section for connection	Cable entries, bottom	Ordering code
5.5 kW	8264/5112	4 x 6 mm ² 3 x 4 mm ²	2 x M32 2 x M25	8264/5-SL-WS5,5kW400V-T
7.5 kW	8264/5222	4 x 6 mm ² 3 x 4 mm ²	2 x M32 2 x M25	8264/5-SL-WS7,5kW400V-T
11 kW	8264/5222	4 x 10 mm ² 3 x 6 mm ²	2 x M32 2 x M25	8264/5-SL-WS11kW400V-T
15 kW	8264/5222	4 x 16 mm ² 3 x 6 mm ²	2 x M32 2 x M25	8264/5-SL-WS15kW400V-T
18.5 kW	8264/5222	4 x 16 mm ² 3 x 10 mm ²	2 x M32 2 x M25	8264/5-SL-WS18,5kW400V-T
22 kW	8264/5222	4 x 35 mm ² 3 x 16 mm ²	1 x M40 1 x M32 2 x M25	8264/5-SL-WS22kW400V-T
30 kW	8264/5323	4 x 35 mm ² 3 x 16 mm ²	1 x M40 1 x M32 2 x M25	8264/5-SL-WS30kW400V-T
37 kW	8264/5323	4 x 50 mm ² 3 x 35 mm ²	1 x M40 1 x M32 2 x M25	8264/5-SL-WS37kW400V-T
45 kW	8264/5323	4 x 95 mm ² 3 x 35 mm ²	1 x M50 1 x M40 2 x M25	8264/5-SL-WS45kW400V-T
55 kW	8264/5333	4 x 95 mm ² 3 x 50 mm ²	1 x M50 1 x M40 2 x M25	8264/5-SL-WS55kW400V-T
75 kW	8264/5333	4 x 95 mm ² 3 x 95 mm ²	1 x M63 1 x M50 2 x M25	8264/5-SL-WS75kW400V-T

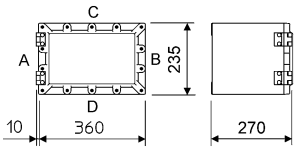
Standard Motor Starters

Series 8264

CUBEX

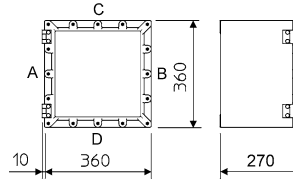


Dimensional Drawings (All Dimensions in mm) - Subject to Alterations



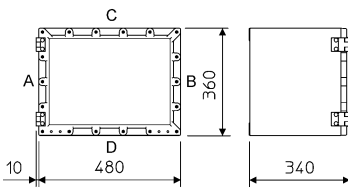
10053E00

8264/5212



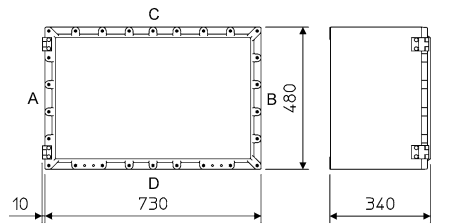
10052E00

8264/5222



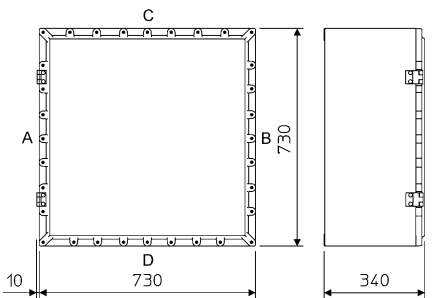
10050E00

8264/5323



10048E00

8264/5222



10047E00

8264/5993

We reserve the right to make alterations to the technical data, dimensions, weights, designs and products available without notice. The illustrations cannot be considered binding.

E7