

# Standard Lighting and Heat-Trace Panels

## Series 8146



www.stahl.de



06524E00

- > Available versions
  - With miniature circuit breaker, tripping characteristic C
  - with residual current circuit breaker and overcurrent release, tripping characteristic B and C
- > Advantages
  - Installation of miniature circuit breakers under hinged inspection window
  - External operation of the breakers
  - Switch setting visible at all times
  - Operation under voltage
  - Short delivery times



The standard distribution panels are built with stock miniature circuit breakers. The following data sheet shows versions with 16 A nominal current. Others with 10, 20, 25 A are also possible. These distribution panels are deliverable within 2 weeks ex works.

		ATEX / IECEx							Class I (NEC 505) (NEC 506)						Class I		Class II		Class III		
Zone		0	1	2	20	21	22	Zone	0	1	2	20	21	22	Division	1	2	1	2	1	2
For use			x	x		x	x	For use in		x					For use in		x				

E8

**WebCode 8146D**

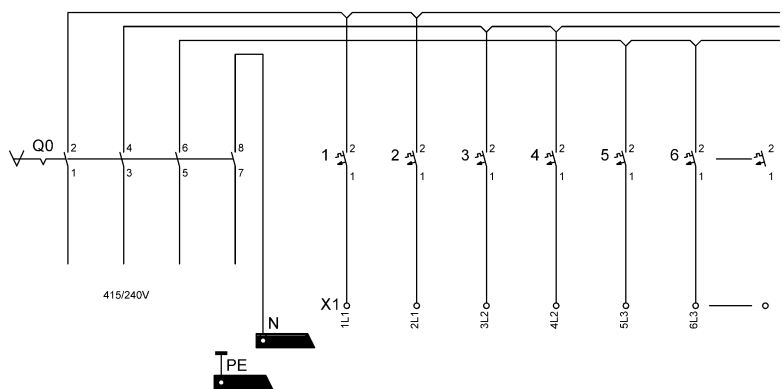
# Standard Lighting and Heat-Trace Panels

## Series 8146

**Selection Table**

Version	Miniature circuit breaker		Layout No.	Cable entries	Order number
	Quantity	Characteristics			
Lighting panels with miniature circuit breaker, 1 pole, 16 A, wiring on terminal blocks	6	C	01	1 x M40, 6 x M25, 1 x M16	<b>8146/5-ExV-01-06L16C1P-T</b>
	12	C	02	1 x M50, 12 x M25, 1 x M16	<b>8146/5-ExV-02-12L16C1P-T</b>
	18	C	03	1 x M50, 18 x M25, 1 x M16	<b>8146/5-ExV-03-18L16C1P-T</b>
	24	C	04	1 x M50, 24 x M25, 1 x M16	<b>8146/5-ExV-04-24L16C1P-T</b>

**Circuit diagram**

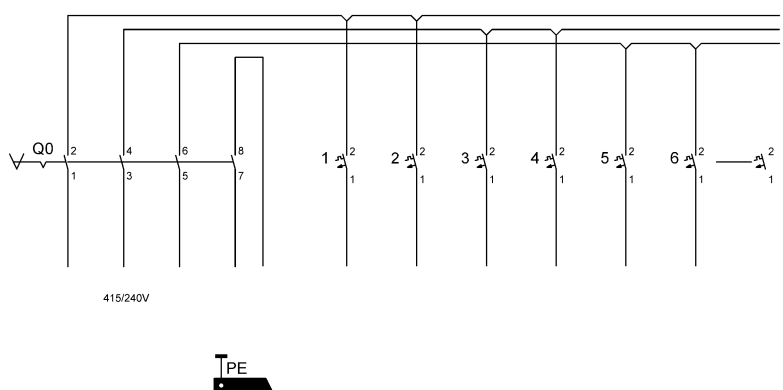


09802E00

**Selection Table**

Version	Miniature circuit breaker		Layout No.	Cable entries	Order number
	Quantity	Characteristics			
Lighting panels with miniature circuit breaker, 1 pole, 16 A, mattress wiring	6	C	06	1 x M40, 6 x M25, 1 x M16	<b>8146/5-ExV-06-06L16C1P-D</b>
	12	C	07	1 x M50, 12 x M25, 1 x M16	<b>8146/5-ExV-07-12L16C1P-D</b>

**Circuit diagram**



09804E00

# Standard Lighting and Heat-Trace Panels

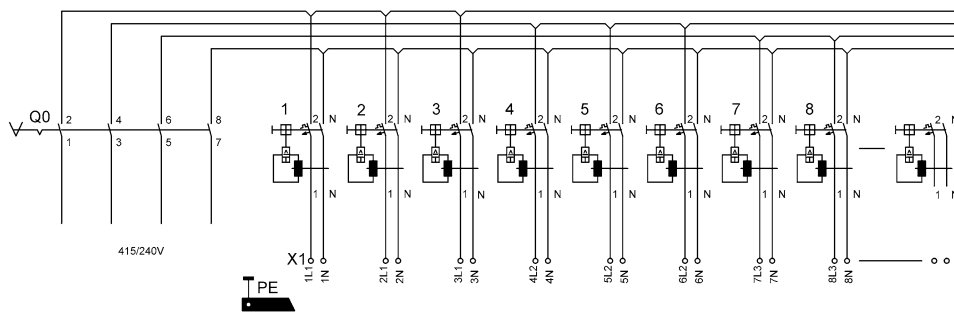
## Series 8146



Selection Table

Version	Residual current circuit breaker with overcurrent release		Layout No.	Cable entries	Order number
	Quantity	Characteristics			
Heat-trace panels with residual current circuit breaker and overcurrent release, 1 pole + N, 16 A / 30 mA, wiring on terminal blocks	8	B	02	1 x M40, 8 x M25, 1 x M16	8146/5-ExV-02-08H16B1N-T
	12	B	03	1 x M50, 12 x M25, 1 x M16	8146/5-ExV-03-12H16B1N-T
	24	B	05	1 x M50, 24 x M25, 1 x M16	8146/5-ExV-05-24H16B1N-T
	8	C	02	1 x M40, 8 x M25, 1 x M16	8146/5-ExV-02-08H16C1N-T
	12	C	03	1 x M50, 12 x M25, 1 x M16	8146/5-ExV-03-12H16C1N-T
	24	C	05	1 x M50, 24 x M25, 1 x M16	8146/5-ExV-05-24H16C1N-T

Circuit diagram

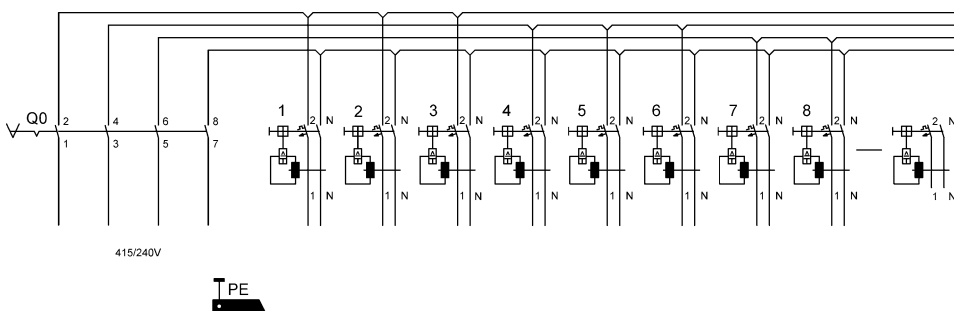


09801E00

Selection Table

Version	Residual current circuit breaker with overcurrent release		Layout No.	Cable entries	Order number
	Quantity	Characteristics			
Heat-trace panels with residual current circuit breaker and overcurrent release, 1 pole + N, 16 A / 30 mA, mattress wiring	8	B	07	1 x M40, 8 x M25, 1 x M16	8146/5-ExV-07-08H16B1N-D
	8	C	07	1 x M40, 8 x M25, 1 x M16	8146/5-ExV-07-08H16C1N-D

Circuit diagram



09803E00

E8

## Standard Lighting and Heat-Trace Panels

### Series 8146

#### Explosion Protection

##### Marking

IECEX	
Gas explosion protection	Ex dem ia/ib [ia/ib] IIA, IIB or IIC, T6, T5 or T4
Dust explosion protection	Ex tD A21 IP66 T 80 °C, T 95 °C or T 130 °C
Europe (ATEX)	
Gas explosion protection	⊕ II 2 G Ex de ia / ib [ia / ib] mq IIA, IIB, IIC T6, T5, T4
Dust explosion protection	⊕ II 2 D Ex tD A21 IP6x T80 °C, T95 °C, T130 °C

##### Certificates

IECEX	IECEX PTB 06.0090
Europe (ATEX)	
Gas explosion protection	PTB 01 ATEX 1024
Dust explosion protection	PTB 01 ATEX 1024
Other certificates	IECEX

#### Technical Data

##### Electrical data

Rated voltage	415 / 240 V AC
Rated current	80 A

##### Ambient conditions

Ambient temperature	- 20 ... + 40 °C
---------------------	------------------

##### Mechanical data

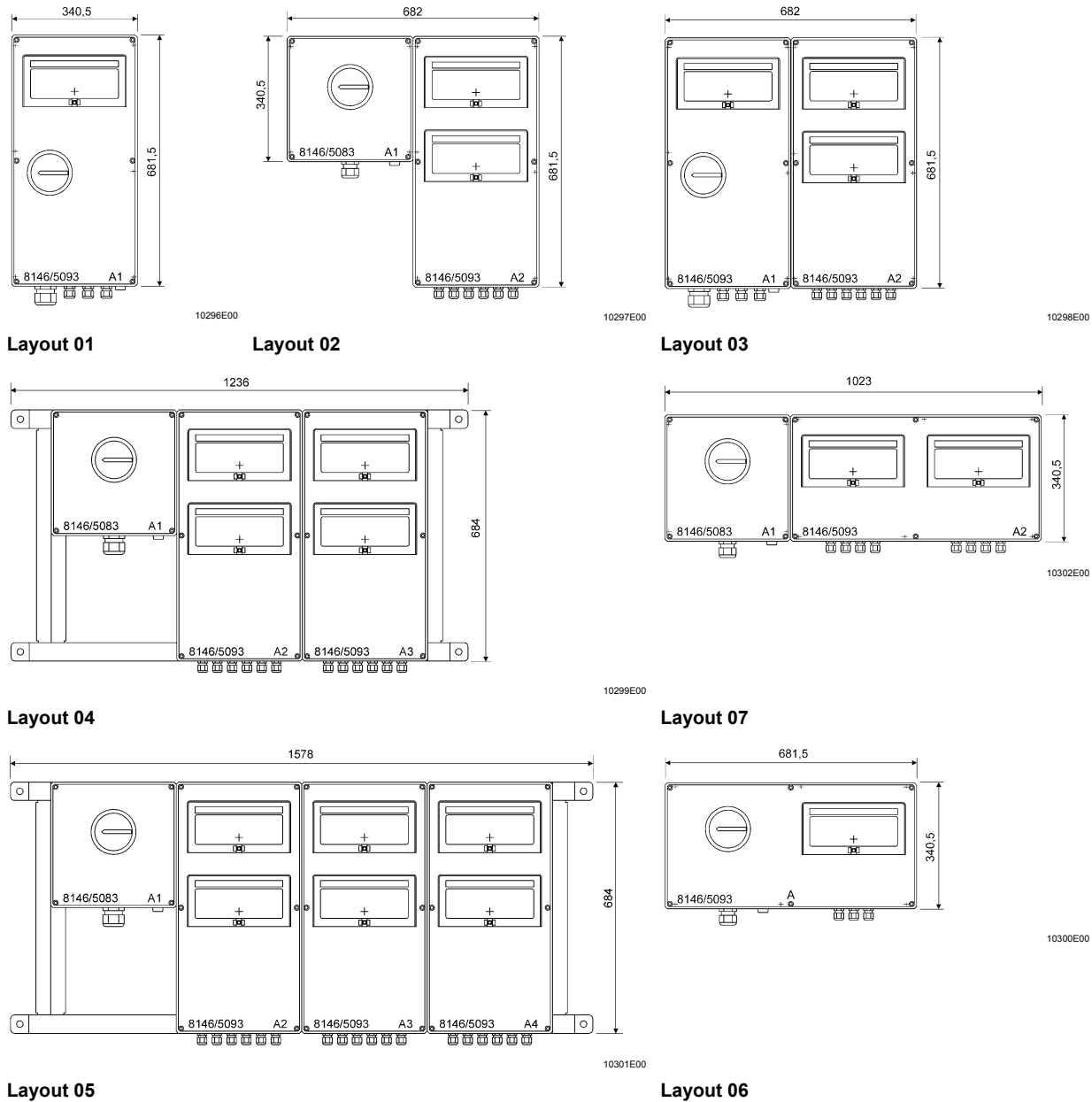
Degree of protection	IP66 (EN 60529)
Enclosure material	Glass fibre reinforced polyester resin, dark grey similar to RAL 7024 Impact resistance $\geq 7$ J Surface resistance $\leq 10^9 \Omega$ Flame retardant acc. to IEC/EN 60695, UL 94, ASTM D635
Connection cross-section finely stranded	35 mm <sup>2</sup>

# Standard Lighting and Heat-Trace Panels

## Series 8146



### Dimensional Drawings (All Dimensions in mm) - Subject to Alterations



We reserve the right to make alterations to the technical data, dimensions, weights, designs and products available without notice. The illustrations cannot be considered binding.

E8