

Lighting and Heating Panel

Series 8264/5-ExV

CUBEx

STAHL



- > Enclosures with Ex d protection
- > Available versions:
 - with MCB, characteristics C
 - with MCB / ELCB, characteristics B resp. C
- > Advantage
 - Short delivery time

www.stahl.de



10229E00



The mains connection switch of the lighting and heating panels CUBEx Series 8264/5-ExV is operated through the side wall via an actuation mechanism. The circuit breakers are fitted on the second mounting level and are actuated via rotary drives. As an option it is possible to fit test keys to the ELCBs to make it possible to actuate them without opening the cover. Four drill holes are provided for in the back wall of the enclosure for fixing the devices. Delivery of a wall fastening rail is optionally possible. Cable entry is done directly via tapped holes, wired directly to the switches. For current distribution the original comb type rails are used at the switching units. A typical design allows for 12 or 24 circuit breakers. Different designs upon request.

E8

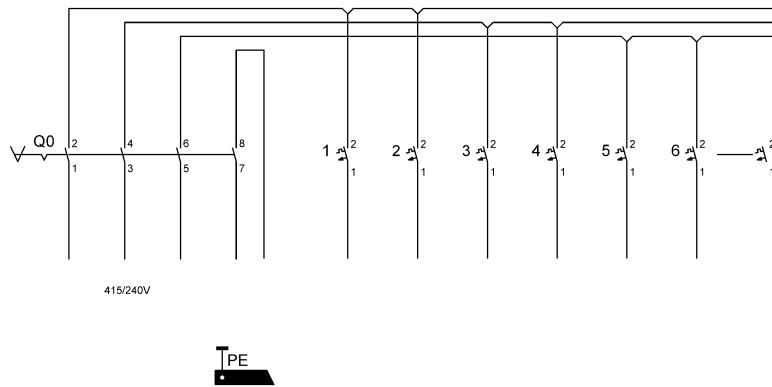
Zone	ATEX / IECEx						Class I (NEC 505) (NEC 506)						
	0	1	2	20	21	22	Zone	0	1	2	20	21	22
For use in		x	x		x	x	For use in		x				

WebCode 8264A

Selection Table

Version	Quantity	Characteristics	Layout No.	Cable entries	Order number
MCB 1 pole 16 A	12	C	01	1 x M 50, 12 x M 20	8264/5-ExV-01-12L16C1P-D
	24	C	02	1 x M 50, 24 x M 20	8264/5-ExV-02-24L16C1P-D

Schematic



Explosion Protection

Marking

IECEX	Ex d ... IIB + H2 T6 ... T4, Ex d ... IIB T6 ... T4
Gas explosion protection	Ex tD A21 IP66 T80°C ... T130°C
Dust explosion protection	Ex tD A21 IP66 T80°C ... T130°C
Europe (ATEX)	II 2 GD Ex d IIB T6 (others on request)

Certificates

IECEX	IECEX KEM 07.0051X
Europe (ATEX)	KEMA 01 ATEX 2145
Other certificates	Belarus (Gospromnadzor), Brazil (UL do Brasil), Canada (UL), India (PESO), Kazakhstan (JSC), Russia (CTB), USA (UL)

Technical Data

Electrical data

Rated voltage	415 V / 240 V AC
Rated current	100 A

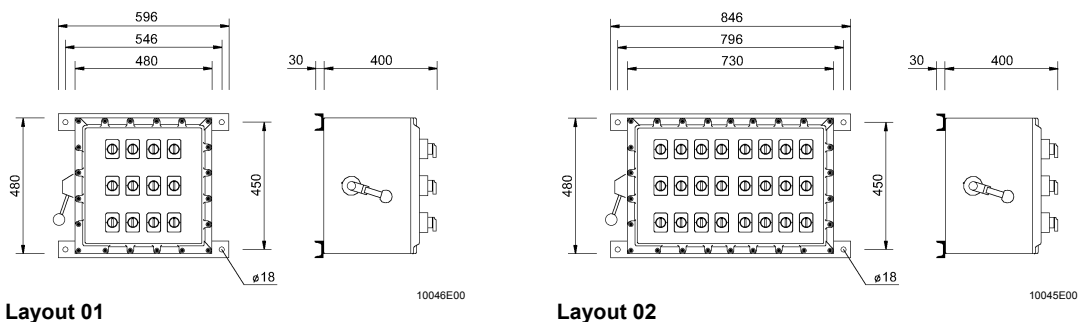
Ambient conditions

Ambient temperature	standard:	- 20 ... + 40 °C
	on request:	- 55 ... + 60 °C (IIB)
		- 20 ... + 60 °C (IIB + H2.) - 55 ... + 60 °C (tD)

Mechanical data

Degree of protection	IP66 (EN 60529)
Enclosure	Standard: Aluminium (saltwater-proof according to EN 13195-1) Special: Stainless steel
Note	Further rated currents 6, 10, 20 A

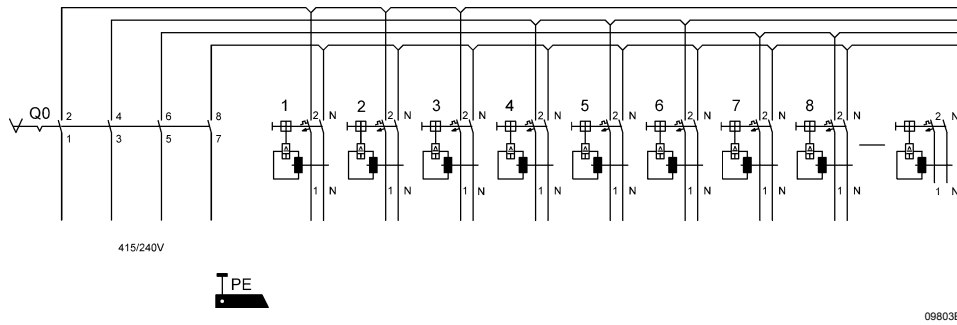
Dimensional Drawings (All Dimensions in mm) - Subject to Alterations



Selection Table

Version	Quantity	Characteristics	Layout No.	Cable entries	Order number
MCB / ELCB	12	B	01	1 x M 50, 12 x M 20	8264/5-ExV-01-12H16B1N-D
1pole + N 16 A / 30 mA	24	B	02	1 x M 50, 24 x M 20	8264/5-ExV-02-24H16B1N-D
	12	C	01	1 x M 50, 12 x M 20	8264/5-ExV-01-12H16C1N-D
	24	C	02	1 x M 50, 24 x M 20	8264/5-ExV-02-24H16C1N-D

Schematic



09803E00

Explosion Protection

Marking

IECEX	
Gas explosion protection	Ex d ... IIB + H2 T6 ... T4, Ex d ... IIB T6 ... T4
Dust explosion protection	Ex tD A21 IP66 T80°C ... T130°C
Europe (ATEX)	
Explosion protection	II 2 GD Ex d IIB T6 (others on request)

Certificates

IECEX	
IECEX	IECEX KEM 07.0051X
Europe (ATEX)	KEMA 01 ATEX 2145
Other certificates	Belarus (Gospromnadzor), Brazil (UL do Brasil), Canada (UL), India (PESO), Kazakhstan (JSC), Russia (CTB), USA (UL)

Technical Data

Electrical data

Rated voltage	415 V / 240 V AC
Rated current	100 A

Ambient conditions

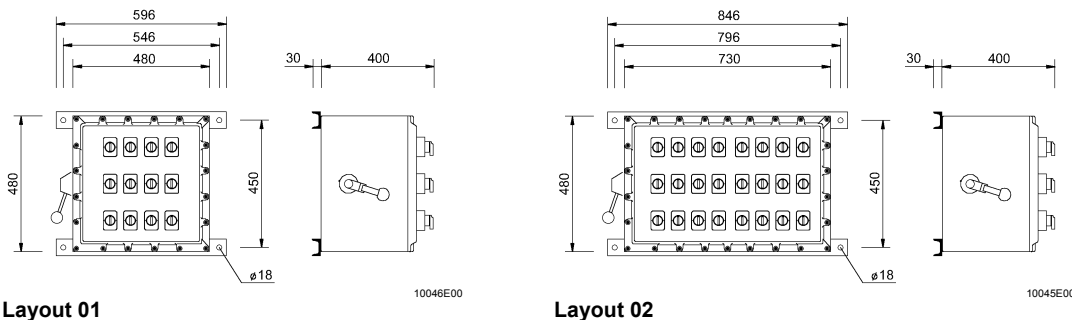
Ambient temperature	standard: - 20 ... + 40 °C
	on request: - 55 ... + 60 °C (IIB)
	- 20 ... + 60 °C (IIB + H2.)
	- 55 ... + 60 °C (tD)

Mechanical data

Degree of protection	IP66 (EN 60529)
Enclosure	Standard: Aluminium (saltwater-proof according to EN 13195-1) Special: Stainless steel

Note Further rated currents 6, 10, 20, 25, 40 A

Dimensional Drawings (All Dimensions in mm) - Subject to Alterations



Layout 01

10046E00

Layout 02

10045E00

We reserve the right to make alterations to the technical data, dimensions, weights, designs and products available without notice. The illustrations cannot be considered binding.