

Standard Motor Starters

Series 8225



www.stahl.de



10102E00

- > Enclosure with type of protection Ex d and terminal compartment enclosure with Ex e
- > Available standard motor controllers
 - Direct-on-line motor starters DOL
 - Star-delta starter combinations YD
 - Reversing starter combinations
- > Advantage
 - Short delivery times



The standard motor starters are fitted into enclosures with type of protection "flameproof enclosure".
 The standard starters are supplied without main switch, main fuses and without control and monitoring devices. These parts can be fitted to order.

Zone	ATEX / IECEx					
	0	1	2	20	21	22
For use in		x	x		x	x

E7

WebCode 8225D

Standard Motor Starters, Direct On-Line Motor Starters DOL Series 8225

Explosion Protection

Marking

IECEX	
Gas explosion protection	Ex d IIC, Ex de IIC
Dust explosion protection	Ex tD A21 IP65
Europe (ATEX)	
Gas explosion protection	Ⓔ II 2 G Ex de IIC T6
Dust explosion protection	Ⓔ II 2 D IP66 T80°C, T95°C

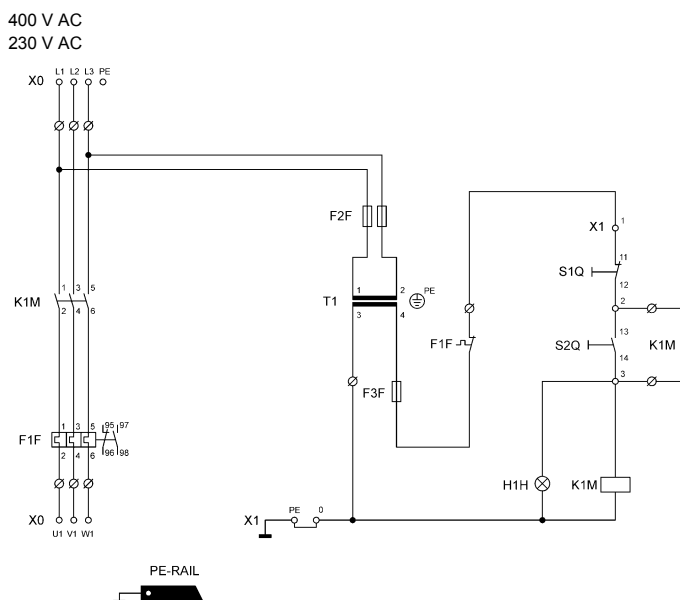
Certificates

IECEX	
Gas explosion protection	IECEX PTB 06.0067U
Dust explosion protection	IECEX PTB 06.0067U
Europe (ATEX)	
Gas explosion protection	PTB 02 ATEX 1109
Dust explosion protection	PTB 02 ATEX 1109
Other certificates	Russia (CTB), Belarus (Gospromnadzor), Kazakhstan (JSC)

Technical Data

Electrical data

Rated voltage	400 V AC
Control voltage	230 V AC
Circuit diagram	



09805E00

Ambient conditions

Ambient temperature	- 20 ... + 40 °C
---------------------	------------------

Mechanical data

Degree of protection	IP55 (to order IP65)
Enclosure material	Sheet steel, cover: die-cast alloy / stainless steel
Colour	Enclosure: grey, RAL 7032, cover: dark grey, RAL 7022

Note

Note

Description: Single contactor for connecting and disconnecting the motor circuits and ohmic consumers. With thermal overcurrent release, version with control transformer acc. to EN 60204. Specify on order if the nominal voltage has a different value than 400 V because the transformer must then be selected appropriately.

Direct On-Line Motor Starters DOL Selection Table

Switching capacity 400 V AC-3	Ex d enclosure	Terminals	Cable entries bottom			Order number
5.5 kW	8225/112	4 x 6 mm ²	3 x 4 mm ²	2 x M32	2 x M25	8225/5-SM-ES5,5kW400V-T
7.5 kW	8225/112	4 x 10 mm ²	3 x 6 mm ²	2 x M32	2 x M25	8225/5-SM-ES7,5kW400V-T
11 kW	8225/112	4 x 10 mm ²	3 x 6 mm ²	2 x M32	2 x M25	8225/5-SM-ES11kW400V-T
15 kW	8225/112	4 x 16 mm ²	3 x 6 mm ²	2 x M32	2 x M25	8225/5-SM-ES15kW400V-T
18.5 kW	8225/112	4 x 16 mm ²	3 x 10 mm ²	2 x M32	2 x M25	8225/5-SM-ES18,5kW400V-T
22 kW	8225/112	4 x 35 mm ²	3 x 10 mm ²	1 x M40	1 x M32 2 x M25	8225/5-SM-ES22kW400V-T
30 kW	8225/122	4 x 35 mm ²	3 x 16 mm ²	1 x M40	1 x M32 2 x M25	8225/5-SM-ES30kW400V-T
37 kW	8225/122	4 x 35 mm ²	3 x 16 mm ²	1 x M40	1 x M32 2 x M25	8225/5-SM-ES37kW400V-T
45 kW	8225/122	4 x 50 mm ²	3 x 35 mm ²	1 x M50	1 x M40 2 x M25	8225/5-SM-ES45kW400V-T
55 kW	8225/122	4 x 50 mm ²	3 x 35 mm ²	1 x M50	1 x M40 2 x M25	8225/5-SM-ES55kW400V-T
75 kW	8225/122	4 x 50 mm ²	3 x 35 mm ²	1 x M50	1 x M40 2 x M25	8225/5-SM-ES75kW400V-T

Standard Motor Starters, Star-Delta Starter Combinations YD

Series 8225



Explosion Protection

Marking

IECEX	
Gas explosion protection	Ex d IIC, Ex de IIC
Dust explosion protection	Ex tD A21 IP65
Europe (ATEX)	
Gas explosion protection	Ⓜ II 2 G Ex de IIC T6
Dust explosion protection	Ⓜ II 2 D IP66 T80°C, T95°C

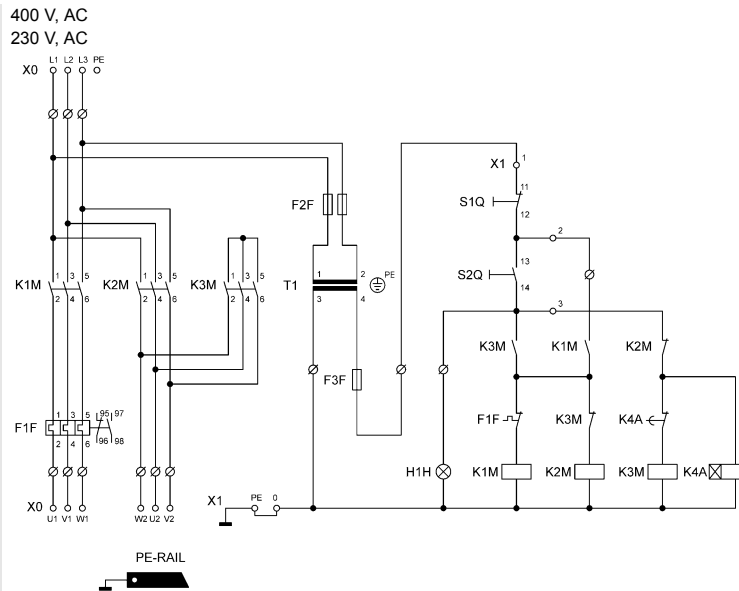
Certificates

IECEX	
Gas explosion protection	IECEX PTB 06.0067U
Dust explosion protection	IECEX PTB 06.0067U
Europe (ATEX)	
Gas explosion protection	PTB 02 ATEX 1109
Dust explosion protection	PTB 02 ATEX 1109
Other certificates	Russia (CTB), Belarus (Gospromnadzor), Kazakhstan (JSC)

Technical Data

Electrical data

Rated voltage
Control voltage
Circuit diagram



09806E00

Ambient conditions

Ambient temperature - 20 ... + 40 °C

Mechanical data

Degree of protection IP55 (to order IP65)
Enclosure material Sheet steel, cover: die-cast alloy / stainless steel
Colour Enclosure: grey, RAL 7032, cover: dark grey, RAL 7022

Note

Note Description:
Contactor combination for connecting and disconnecting the motor circuits and ohmic consumers. With thermal overcurrent release, version with control transformer acc. to EN 60204. Specify on order if the nominal voltage has a different value than 400 V because the transformer must then be selected appropriately.

Star-Delta Starter Combinations YD Selection Table

Switching capacity 400 V AC-3	Ex d enclosure	Terminals	Cable entries bottom			Order number
11 kW	8225/122	4 x 6 mm ²	6 x 4 mm ²	3 x M32	2 x M25	8225/5-SL-SS11kW400V-T
15 kW	8225/122	4 x 6 mm ²	6 x 4 mm ²	3 x M32	2 x M25	8225/5-SL-SS15kW400V-T
18.5 kW	8225/122	4 x 6 mm ²	6 x 4 mm ²	3 x M32	2 x M25	8225/5-SL-SS18,5kW400V-T
22 kW	8225/122	4 x 10 mm ²	6 x 6 mm ²	3 x M32	2 x M25	8225/5-SL-SS22kW400V-T
30 kW	8225/172	4 x 16 mm ²	6 x 6 mm ²	3 x M40	2 x M25	8225/5-SL-SS30kW400V-T
37 kW	8225/172	4 x 35 mm ²	6 x 10 mm ²	3 x M40	2 x M25	8225/5-SL-SS37kW400V-T
45 kW	8225/132	4 x 35 mm ²	6 x 16 mm ²	1 x M50	2 x M40 2 x M25	8225/5-SL-SS45kW400V-T
55 kW	8225/132	4 x 50 mm ²	6 x 35 mm ²	1 x M50	2 x M40 2 x M25	8225/5-SL-SS55kW400V-T
75 kW	8225/132	4 x 50 mm ²	6 x 35 mm ²	1 x M50	2 x M40 2 x M25	8225/5-SL-SS75kW400V-T
90 kW	8225/133	4 x 95 mm ²	6 x 50 mm ²	1 x M63	2 x M40 2 x M25	8225/5-SL-SS90kW400V-T
110 kW	8225/133	4 x 150 mm ²	6 x 95 mm ²	1 x M63	2 x M50 2 x M25	8225/5-SL-SS110kW400V-T
132 kW	8225/133	4 x 150 mm ²	6 x 95 mm ²	1 x M63	2 x M50 2 x M25	8225/5-SL-SS132kW400V-T
160 kW	8225/196	4 x 240 mm ²	6 x 150 mm ²	3 x M63	2 x M25	8225/5-SL-SS160kW400V-T
200 kW	8225/196	4 x 240 mm ²	6 x 150 mm ²	3 x M63	2 x M25	8225/5-SL-SS200kW400V-T

Standard Motor Starters, Reversing Starter Combinations

Series 8225

Explosion Protection

Marking

IECEX	
Gas explosion protection	Ex d IIC, Ex de IIC
Dust explosion protection	Ex tD A21 IP65
Europe (ATEX)	
Gas explosion protection	Ⓔ II 2 G Ex de IIC T6
Dust explosion protection	Ⓔ II 2 D IP66 T80°C, T95°C

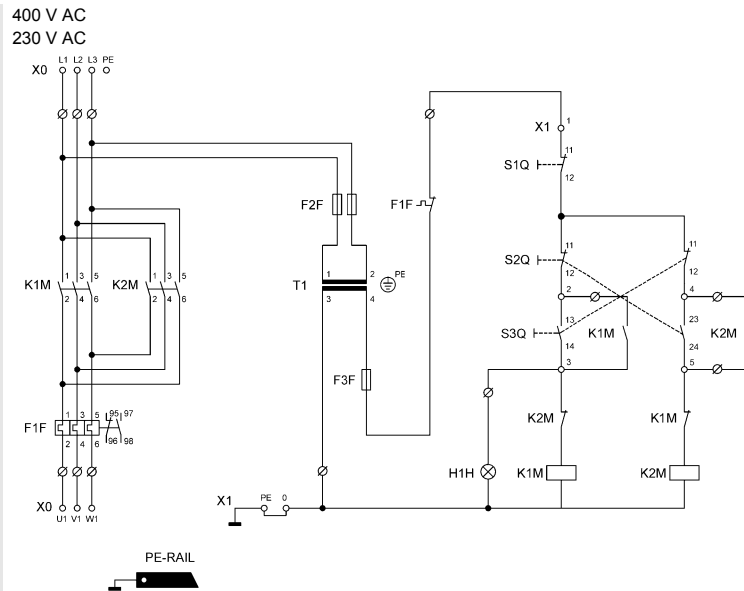
Certificates

IECEX	
Gas explosion protection	IECEX PTB 06.0067U
Dust explosion protection	IECEX PTB 06.0067U
Europe (ATEX)	
Gas explosion protection	PTB 02 ATEX 1109
Dust explosion protection	PTB 02 ATEX 1109
Other certificates	Russia (CTB), Belarus (Gospromnadzor), Kazakhstan (JSC)

Technical Data

Electrical data

Rated voltage	400 V AC
Control voltage	230 V AC
Circuit diagram	



10043E00

Ambient conditions

Ambient temperature	- 20 ... + 40 °C
---------------------	------------------

Mechanical data

Degree of protection	IP55 (to order IP65)
Enclosure material	Sheet steel, cover: die-cast alloy / stainless steel
Colour	Enclosure: grey, RAL 7032, cover: dark grey, RAL 7022

Note

Note	Description: Contactor combination for changing the phase sequence of the motor circuits. With thermal overcurrent release, version with control transformer acc. to EN 60204. Specify on order if the nominal voltage has a different value than 400 V because the transformer must then be selected appropriately.
------	--

Reversing Starter Combinations Selection Table

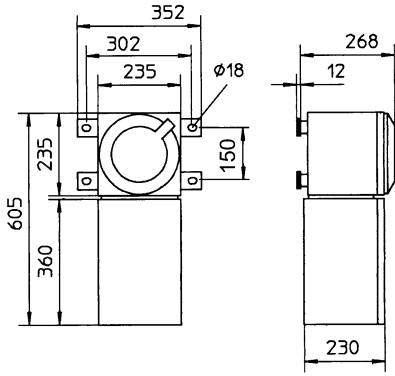
Switching capacity 400 V AC-3	Ex d enclosure	Terminals	Cable entries bottom			Order number
5.5 kW	8225/122	4 x 6 mm ²	3 x 4 mm ²	2 x M32	2 x M25	8225/5-SL-WS5,5kW400V-T
7.5 kW	8225/122	4 x 6 mm ²	3 x 4 mm ²	2 x M32	2 x M25	8225/5-SL-WS7,5kW400V-T
11 kW	8225/122	4 x 10 mm ²	3 x 6 mm ²	2 x M32	2 x M25	8225/5-SL-WS11kW400V-T
15 kW	8225/122	4 x 16 mm ²	3 x 6 mm ²	2 x M32	2 x M25	8225/5-SL-WS15kW400V-T
18.5 kW	8225/122	4 x 16 mm ²	3 x 10 mm ²	2 x M32	2 x M25	8225/5-SL-WS18,5kW400V-T
22 kW	8225/122	4 x 35 mm ²	3 x 16 mm ²	1 x M40	1 x M32 2 x M25	8225/5-SL-WS22kW400V-T
30 kW	8225/122	4 x 35 mm ²	3 x 16 mm ²	1 x M40	1 x M32 2 x M25	8225/5-SL-WS30kW400V-T
37 kW	8225/122	4 x 50 mm ²	3 x 35 mm ²	1 x M40	1 x M32 2 x M25	8225/5-SL-WS37kW400V-T
45 kW	8225/122	4 x 95 mm ²	3 x 35 mm ²	1 x M50	1 x M40 2 x M25	8225/5-SL-WS45kW400V-T
55 kW	8225/133	4 x 95 mm ²	3 x 50 mm ²	1 x M50	1 x M40 2 x M25	8225/5-SL-WS55kW400V-T
75 kW	8225/133	4 x 95 mm ²	3 x 95 mm ²	1 x M63	1 x M50 2 x M25	8225/5-SL-WS75kW400V-T

Standard Motor Starters

Series 8225

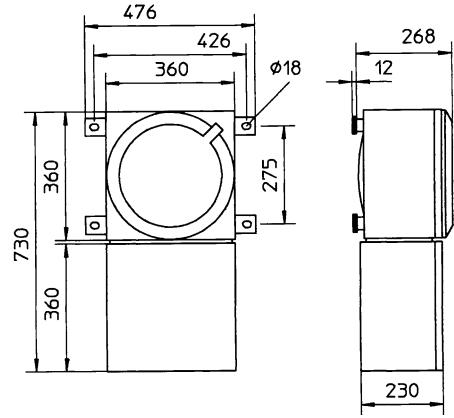


Dimensional Drawings (All Dimensions in mm) - Subject to Alterations



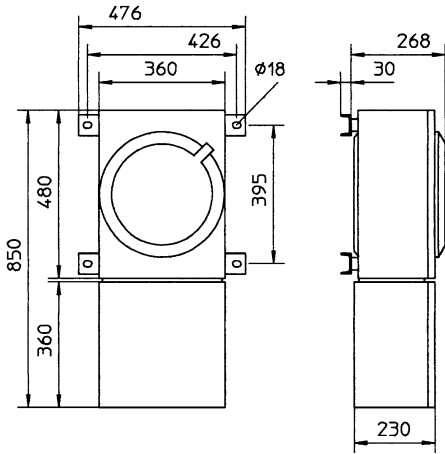
8225/112

04470E00



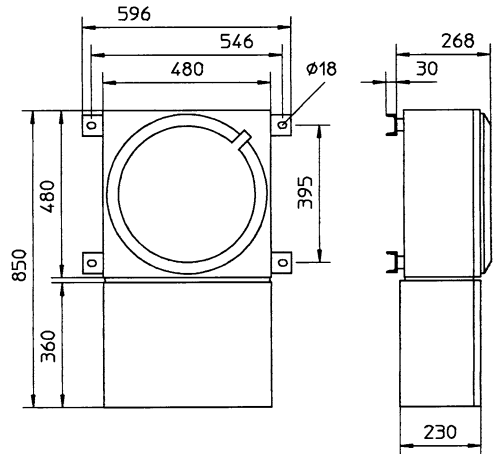
8225/122

04471E00



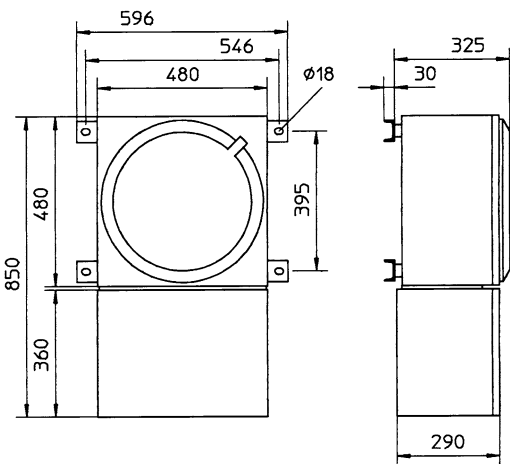
8225/172

04472E00



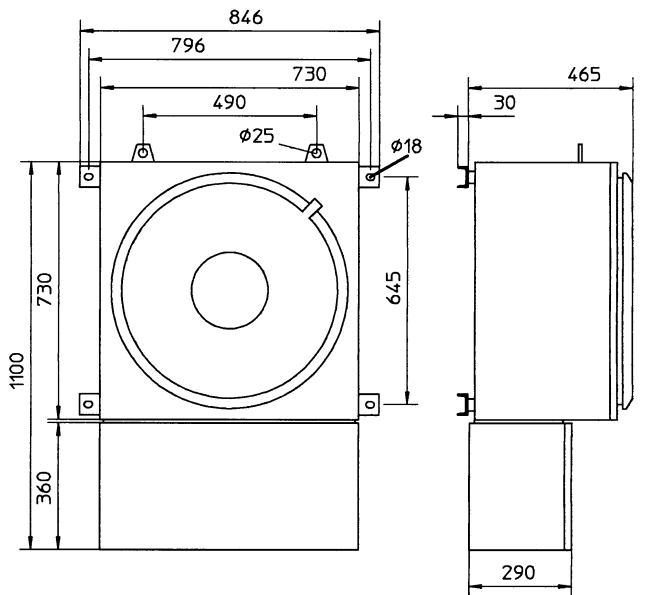
8225/132

04474E00



8225/133

04475E00



8225/196

04477E00

We reserve the right to make alterations to the technical data, dimensions, weights, designs and products available without notice. The illustrations cannot be considered binding.