



01604E00


CCTV Camera Series 8214

- Explosion protection
 - CENELEC
 - IEC
- Can be used in Zone 1 and Zone 2
- Camera with lens, power supply, ready to run for installation in factory
- Cameras can be provided by customer
- Available with
 - swivel-tilt head (manual or motor operated)
 - protective cover
- Optional thermostatically controlled internal heating

STAHL

Series 8214 enclosures are designed to contain cameras for monitoring equipment in potentially explosive areas.

Selection table

Version	Description	Ordering code	Weight kg	
8214 CCTV camera enclosure 	empty	short, 330 mm	8214/123-2-S06	6,000
		long, 480 mm	8214/124-2-S06	7,500
	with internal heating fitted	short, 330 mm	8214/123-2-S07	6,300
		long, 480 mm	8214/124-2-S07	7,800

01780E00

Add. to ordering code

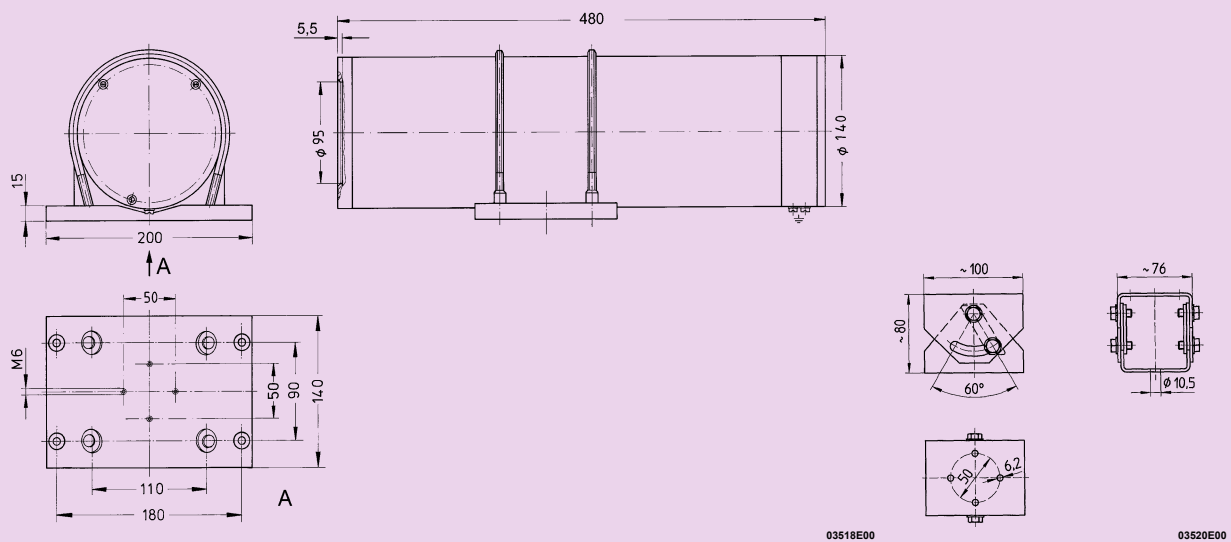
please specify text: ... with mounted CCTV camera type ... (generally free issue)
 .. with protective cover

Zones 1 & 2

Technical Data

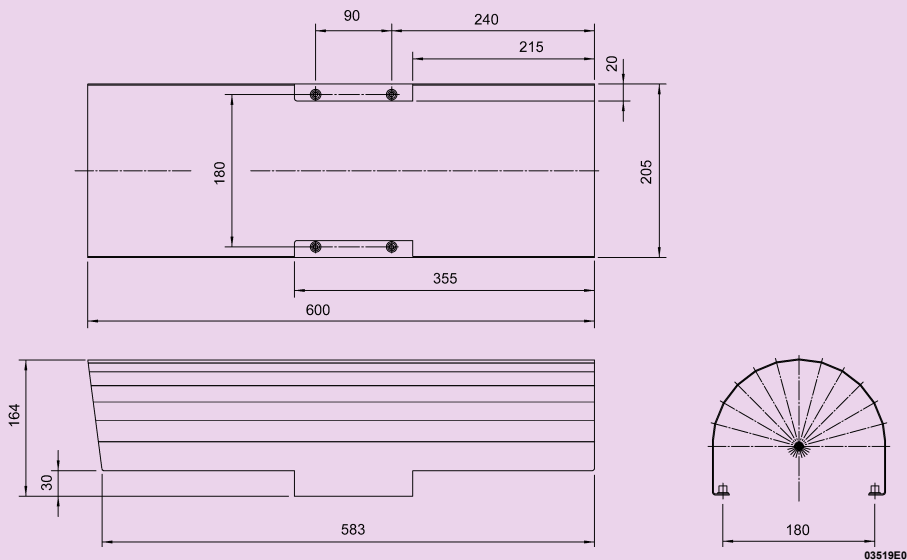
Explosion protection	II 2 G EEx de IIC T6
Certificates	PTB 02 ATEX 1102
Other certificates	BKI (Hungary)
Electrical data for camera	
Rated voltage	max. 400 V, 50 HZ
Rated power	$P_{V \max.} = 70 \text{ W}$
Ambient temperature	- 30 °C ... + 40 °C, by a heater in the enclosure
Degree of protection	IP 65

Dimension drawings (all dimensions in mm) - subject to alterations



8214/124-2-S..
CCTV camera enclosure

Swivel-tilt head (manual)



Protective cover

We reserve the right to make alterations to the technical data, weights, dimensions, designs and products available without notice. The illustrations cannot be considered binding.

