



01813E00

The adjustable tone sequences and tone sequence combinations for horns Series 8492 are identical to horns Series 8493.

STAHL

Horn for EEx i Circuits Series 8492

- Explosion protection to
 - CENELEC
 - IEC
- For use in
 - Zone 0
 - Zone 1 and Zone 2
- 32 different signal sequences adjustable with internal DIP switches
- Three different signal sequences can be selected through an external switch with a given DIP switch setting
- Three PFEER signals
 - „General alarm“
 - „Toxic gas alarm“
 - „Prepare to abandon platform“
- Loudness level adjustable
- Robust plastic enclosure (ABS)
- Synchronized tone sequence of parallel operated devices by quartz-controlled oscillator
- Option: speaker module, programmable

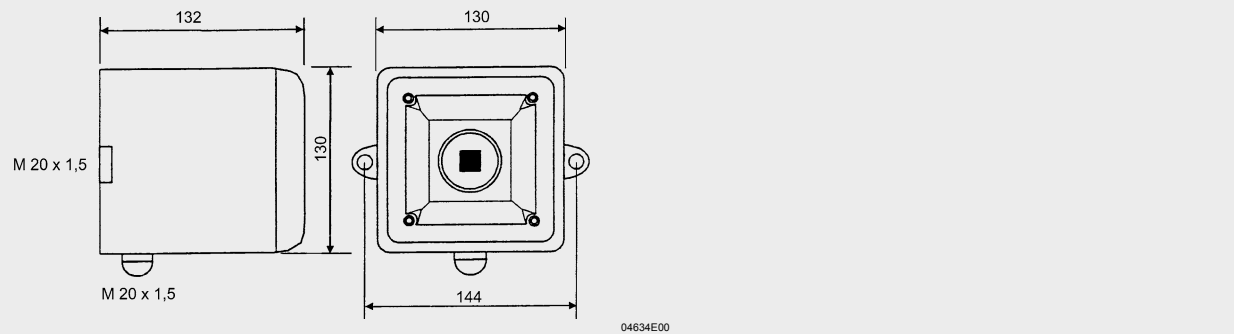
Zones 1 & 2

Selection table				
Version	Volume	Explosion group	Ordering code	Weight kg
Horn for EEx i circuits	max. 103 dB(A)	IIC	8492/111	1,000
	max. 105 dB(A)	IIB	8492/121	1,000
Note	A programmable announcement module can be applied.			

Technical Data	
Explosion protection	8492/111 II 1 G EEx ia IIC T4* 8492/121 II 1 G EEx ia IIB T4* * T4 bei + 60 °C
Certificates	8492/111 BAS 02 ATEX 1268 8492/121 BAS 02 ATEX 1267
Volume	8492/111 103 dB(A), at 1 m; adjustable 8492/121 105 dB(A), at 1 m; adjustable
Rated operational voltage U_e	8 V ... 30 V
Rated working current I_e	25 mA typically 28 V, 300 Ω with a 24 V supply across a safety barrier
Electromagnetic compatibility	acc. to 89/336/EEC
Installation	to operate across any approved safety barrier whose output parameters do not exceed the following values: U_o 28 V, DC I_o 110 mA, DC P_o 0,8 W <div style="display: flex; justify-content: space-around; align-items: center;"> <div style="text-align: center;"> <p>Hazardous area</p> </div> <div style="text-align: center;"> <p>Safe area</p> </div> </div> <p style="text-align: right; font-size: small;">08982E02</p>
Enclosure	Plastic: ABS
Degree of protection	IP 65
Ambient temperature	- 40 °C ... + 60 °C
Cable entries	2 x M 20 x 1,5
Flexible lead	Terminals for 0,5 mm ² ... 2,5 mm ² <p style="text-align: center; font-size: x-small;">08984E00</p>



Dimension drawings (all dimensions in mm) - subject to alterations



We reserve the right to make alterations to the technical data, weights, dimensions, designs and products available without notice. The illustrations cannot be considered binding.