

# Potentiometer for Panel Mounting

## Series 8218



www.stahl.de



> Series 8218 potentiometers are available as slide-wire potentiometers with a rated capacity of 10 W and as precision potentiometers with a rated capacity of 3 W or 5 W.

01784E00



E4

	ATEX / IECEx					
Zone	0	1	2	20	21	22
For use in		x	x			

**WebCode 8218E**

# Potentiometer for Panel Mounting

## Series 8218

### Selection Table

Version	Description	Rated power	Resistance values	Order number	Weight kg
8218 Potentiometer	Slide wire	10 W	4.7, 10, 22, 47, 100, 470 Ω 1, 2.2, 4.7, 10, 20 kΩ	<b>8218/311-5-S13-...</b>	1.300
	Precision helical 10-turn design	5 W	500 Ω 1, 2, 5, 10, 100, 200, 500 kΩ	<b>8218/212-5-S12-...</b>	1.300

### Order Number Supplement

Complete resistance value

### Explosion Protection

#### Marking

Version	Slide wire 10 W	Precision helical 10-turn design , 5 W
IECEX	Ex de [ia/ib] IIC, T6 Ex d [ia/ib] IIC, T6	Ex de [ia/ib] IIB, T6 Ex d [ia/ib] IIB, T6
Europe (ATEX)	⊕ II 2 G Ex de IIC T6	⊕ II 2 G Ex de IIB T6

#### Certificates

Version	Slide wire 10 W	Precision helical 10-turn design , 5 W
IECEX	IECEX PTB 06.0072	IECEX PTB 06.0077
Europe (ATEX)	PTB 02 ATEX 1105	PTB 02 ATEX 1107
Other certificates	Kazakhstan (JSC), Belarus (Gospromnadzor)	

### Technical Data

#### Electrical data

Version	Slide wire 10 W	Precision helical 10-turn design , 5 W
Resistance values	4.7 Ω ... 20 kΩ	500 Ω ... 500 kΩ
Characteristic	linear	linear
Tolerance	± 5 %	± 3 %
Test voltage	2500 V AC	1000 V AC
Adjustment scale	270 °	3600; + 10 ° ... 0 ° 10 rotations with precision scale driver

#### Ambient conditions

Operating temperature range	- 40 ... + 40 °C
-----------------------------	------------------

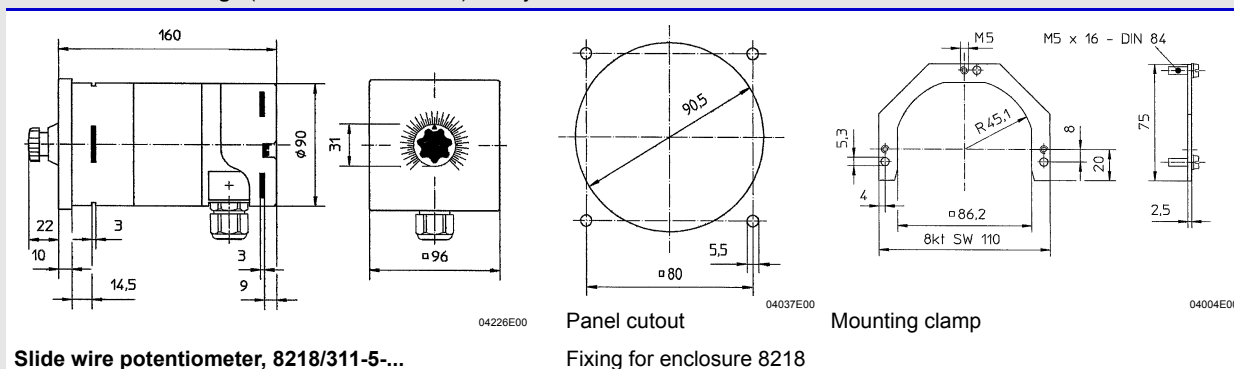
#### Mechanical data

Degree of protection	IP54
Enclosure material	Polyester resin; colour dark grey, RAL 7024
Front plate size	96 x 96 mm

#### Assembly / Installation

Cable entries	1 x M20 x 1,5 cable gland
Connection type	max. 1,5 mm <sup>2</sup> flexible/solid

### Dimensional Drawings (All Dimensions in mm) - Subject to Alterations



We reserve the right to make alterations to the technical data, dimensions, weights, designs and products available without notice. The illustrations cannot be considered binding.