

# Ammeters and Voltmeters for Panel Mounting

## Series 8218



www.stahl.de



- > Available with moving coil or moving iron movement for DC or AC measurement
- > They are fitted into Series 8218 Ex d enclosures and are suitable for panel mounting



01786E00

E4

	ATEX / IECEx					
Zone	0	1	2	20	21	22
For use in		x	x			

**Explosion Protection**

**Marking**

IECEX	Ex de [ia/ib] IIC, T6 Ex d [ia/ib] IIC, T6
Europe (ATEX)	II 2 G Ex de IIC T6
<b>Europe (ATEX)</b>	
IECEX	IECEX PTB 06.0072
Europe (ATEX)	PTB 02 ATEX 1105
Other certificates	Kazakhstan (JSC), Belarus (Gospromnadzor)

**WebCode 8218G**

# Ammeters and Voltmeters for Panel Mounting

## Series 8218

**Selection Table**

Version	Built-in measurement instrument	Measuring unit	Measuring ranges (standard series)	Order number	Weight kg
8218 Ammeter/Voltmeter	Moving coil instrument ammeter	$\mu\text{A}$	40, 60, 100, 150, 250, 400, 600 $\mu\text{A}$	8218/311-5-S08-...	1.300
		mA	1, 1.5, 2.5, 4, 6, 10, 15, 20, 25, 40, 60, 100, 150, 250, 400, 600 mA		
		A	1, 1.5, 2.5, 4, 6, 10 A		
	Moving coil instrument voltmeter	mV	25, 40, 60, 100, 150, 250, 400, 600 mV	8218/311-5-S08-...	1.300
Moving iron instrument ammeter	V	1, 1.5, 2.5, 4, 6, 10, 15, 25, 40, 60, 100, 150, 250, 400, 600 V	8218/311-5-S09-...	1.300	
	mA	100, 150, 250, 400, 600 mA			
Moving iron instrument voltmeter	A	1, 1.5, 2.5, 4, 6, 10 A n/1, n/5 current transformer	8218/311-5-S09-...	1.300	
	V	6, 10, 15, 25, 40, 60, 100, 150, 250, 400 V			

**Technical Data**

**Ambient conditions**

Operating temperature range - 40 ... + 40 °C

**Mechanical data**

Degree of protection IP65  
 Enclosure material Polyester resin; colour dark grey, RAL 7024  
 Front plate size 96 x 96 mm  
 Movement for DC measurement, class 1,5

**Assembly / Installation**

Cable entries 1 x M20 x 1,5 cable gland  
 Connection type max. 1.5 mm<sup>2</sup> flexible/solid

**Ammeter**

Insulation voltage 650 V  
 Internal resistance  

I [ $\mu\text{A}$ ]	40	60	100	150	250	400	600
R <sub>i</sub> [ $\Omega$ ]	2800	2700	2750	2750	1050	450	170

 for higher currents see selection table

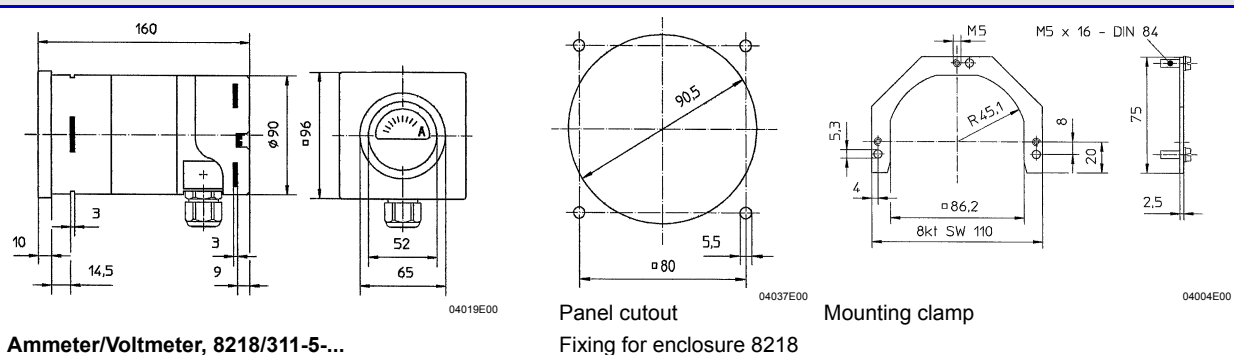
**Voltmeter**

Insulation voltage 650 V  
 Internal resistance R<sub>i</sub> approx. 1000  $\Omega/\text{V}$

**Moving iron instrument**

Measurement for DC measurement, class 1,5  
 Insulation voltage 650 V  
 Measuring ranges see selection table  
 Power consumption 0,1 ... 5 VA  
 Frequency 15 ... 100 Hz  
 Overload scale Ammeter: 2 times

**Dimensional Drawings (All Dimensions in mm) - Subject to Alterations**



We reserve the right to make alterations to the technical data, dimensions, weights, designs and products available without notice. The illustrations cannot be considered binding.