

Preset Pulse Counter for Panel Mounting

Series 8214



www.stahl.de



- > High input frequency, max. 20 kHz
- > Various input options
- > High counting accuracy
- > High immunity to interference voltages
- > Programmable counting method
- > Power supply AC or DC as desired



05803E00

E4

	ATEX / IECEx					
Zone	0	1	2	20	21	22
For use in		x	x			

Explosion Protection

Marking

IECEX	Ex de [ia/ib] IIC T6, T5 Ex d [ia/ib] IIC T6, T5
Europe (ATEX)	II 2 G Ex de IIC T6

Certificates

IECEX	IECEX PTB 06.0070
Europe (ATEX)	PTB 02 ATEX 1102
Other certificates	Belarus (Gospromnadzor)

WebCode 8214B

Preset Pulse Counter for Panel Mounting

Series 8214

Selection Table

Version	Description	Order number	Weight kg
8214 Preset pulse counter	Standard version for electronic pulse counters	8214/122-2-S18	4.700

Order Number Supplement

Voltage and frequency data

Technical Data

Electrical data

Rated operational voltage	AC	DC
	90 ... 260 V, max. 5 VA	10 ... 30 V, max. 1.2 W
Switching voltage	AC	DC
	Output 1	max. 250 V
	Output 2	max. 250 V
Switching current	AC	DC
	Output	max. 3 A
Switching capacity	AC	DC
	Output 1	max. 750 VA
	Output 2	max. 2000 VA
Switching level	AC	DC
	Inputs	log. „0“: 0 ... 4 V DC
		log. „1“: 12 ... 30 V DC
Relay output	1 NO contact, 1 change-over contact	

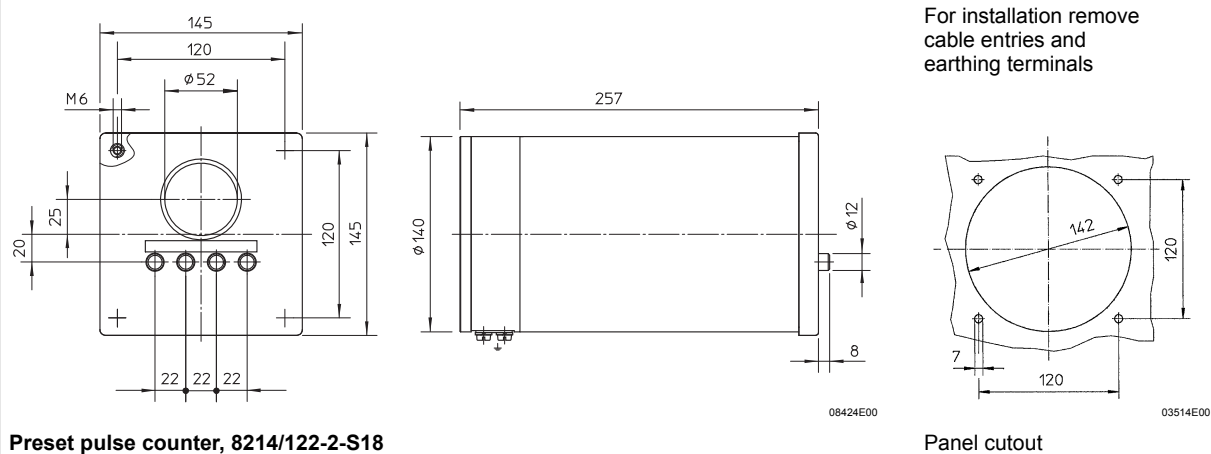
Ambient conditions

Operating temperature range	- 10 ... + 40 °C
-----------------------------	------------------

Mechanical data

Degree of protection	IP54
Enclosure material	Aluminium, powder coated
Display	6-digit, 7-segment display, red LED, 8 mm high
Counting method	programmable additive or subtractive
Counting frequency	30 Hz, optionally up to max. 20 kHz

Dimensional Drawings (All Dimensions in mm) - Subject to Alterations



We reserve the right to make alterations to the technical data, weights, dimensions, designs and products available without notice. The illustrations cannot be considered binding.