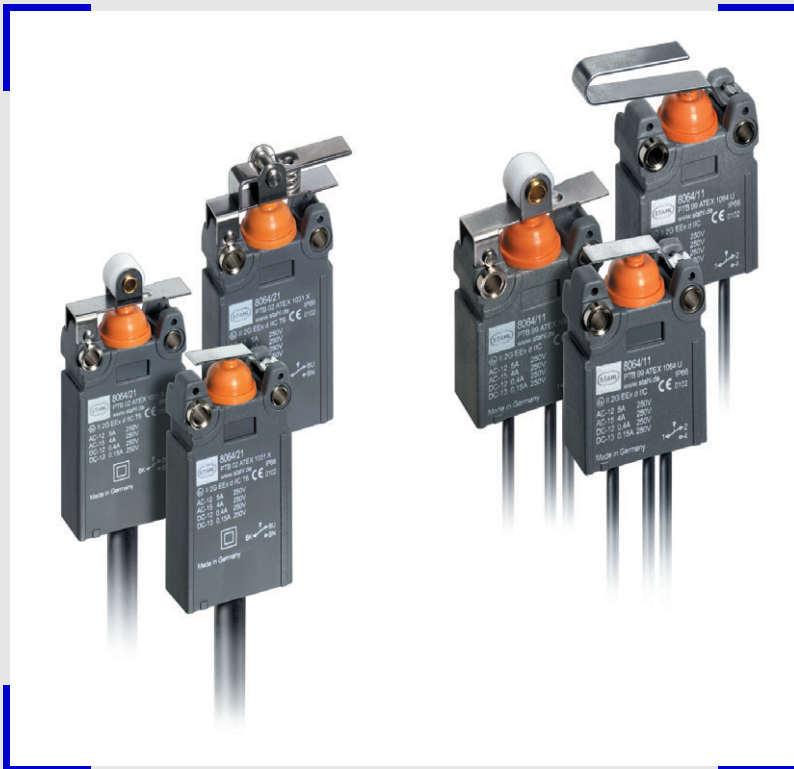


## Micro Limit Switch Series 8064

STAHL

www.stahl.de



01619E00

- > For universal application
- > Versions with
  - snap-action contact
  - positive opening contact
- > With connecting cable or with single cores when it is used as a built-in device
- > Width
  - Single limit switch 11 mm
  - Double limit switch 15.5 mm



E4

Due to the large number of available actuator and circuit options, the micro limit switch of R. STAHL has a wide field of application. Specially shaped fixing bushes allow several micro limit switches to be grouped together without elaborate additional work. The devices are available with silver contacts or gold-plated silver contacts for low currents and voltages.

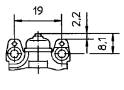
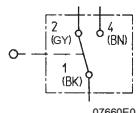
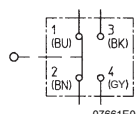
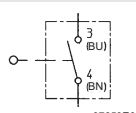
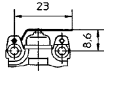
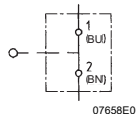
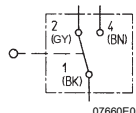
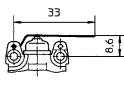
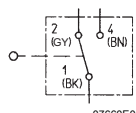
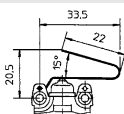
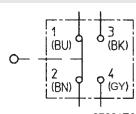
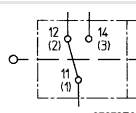
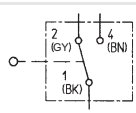
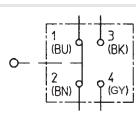
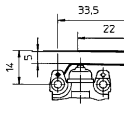
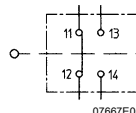
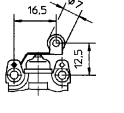
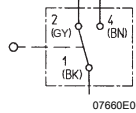
	ATEX					
Zone	0	1	2	20	21	22
8064/1 with single cores: For use in		x	x			
8064/2 with connecting cable: For use in		x	x		x	x

WebCode 8064A

# Micro Limit Switch

## Series 8064

Selection table

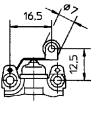
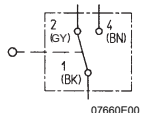
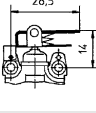
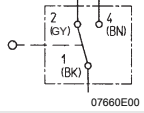
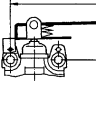
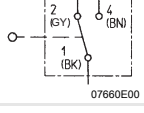
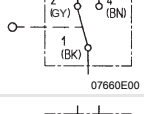
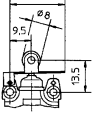
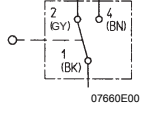
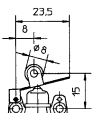
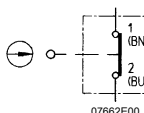
Version	Contacts	Connection cross-section	Cable length	Order number	Weight
					kg
 04362E00	 07660E00	Silver Connecting cable, H05VV-F, 0.75 mm <sup>2</sup>	3 m	8064/21-130-30-000	0.210
	 07661E00	Silver Connecting cable, H05VV-F, 0.75 mm <sup>2</sup>	2 m	8064/21-140-20-000	0.160
	 07659E00	Galvanically gold-plated silver Connecting cable, H05VV-F, 0.75 mm <sup>2</sup>	1 m	8064/21-320-10-000	0.100
 04364E00	 07658E00	Silver Connecting cable, H05VV-F, 0.75 mm <sup>2</sup>	5 m	8064/21-110-50-102	0.420
	 07660E00	Silver Connecting cable, H05VV-F, 0.75 mm <sup>2</sup>	3 m	8064/21-130-30-102	0.210
 04365E00	 07660E00	Silver Connecting cable, H05VV-F, 0.75 mm <sup>2</sup>	5 m	8064/21-130-50-103	0.420
 04368E00	 07661E00	Silver Connecting cable, H05VV-F, 0.75 mm <sup>2</sup>	6 m	8064/21-140-60-121	0.480
	 07672E00	Silver Connecting cable, H05VV-F, 0.75 mm <sup>2</sup>	1,5 m	8064/21-133-15-121	0.230
	 07660E00	Silver Connecting cable, H05VV-F, 0.75 mm <sup>2</sup>	3 m	8064/21-130-30-121	0.210
	 07661E00	Silver Connecting cable, H05VV-F, 0.75 mm <sup>2</sup>	2 m	8064/21-140-20-121	0.160
 04367E00	 07667E00	Silver Single cores, H07G-K, 0.75 mm <sup>2</sup>	0.5 m	8064/11-149-05-122	0.070
 04383E00	 07660E00	Galvanically gold-plated silver Connecting cable, H05VV-F, 0.75 mm <sup>2</sup>	3 m	8064/21-330-30-163	0.210

# Micro Limit Switch

## Series 8064



Selection table


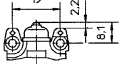
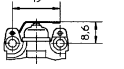
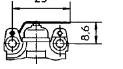
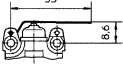
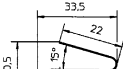

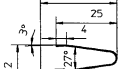
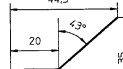
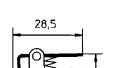
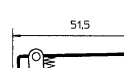
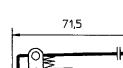
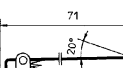

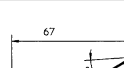


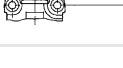
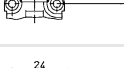
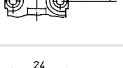
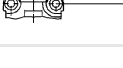


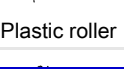
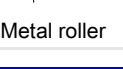
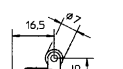
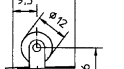
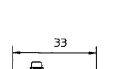
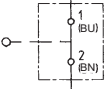
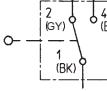
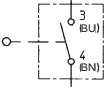
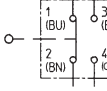
Version	Contacts	Connection cross-section	Cable length	Order number	Weight kg	
 04383E00	 07660E00	Silver	Connecting cable, H05VV-F, 0.75 mm <sup>2</sup>	1 m	8064/21-130-10-164	0.100
 04372E00	 07660E00	Silver	Connecting cable, H05VV-F, 0.75 mm <sup>2</sup>	1 m	8064/21-130-10-241	0.100
 04374E00	 07660E00	Silver	Connecting cable, H05VV-F, 0.75 mm <sup>2</sup>	1 m	8064/21-130-10-243	0.100
	 07660E00	Silver	Connecting cable, H05VV-F, 0.75 mm <sup>2</sup>	3 m	8064/21-130-30-243	0.210
 04381E00	 07660E00	Silver	Connecting cable, H05VV-F, 0.75 mm <sup>2</sup>	3 m	8064/21-130-30-261	0.210
 04360E00	 07662E00	Silver	Single cores, H07G-K, 0.75 mm <sup>2</sup>	0.5 m	8064/15-150-05-261	0.070

E4

# Micro Limit Switch

## Series 8064

### Single Micro Limit Switch with Snap-Action Contact, Contact Distance $2 \times \geq 0.3 \text{ mm}$

Version	Actuator	Reference	Actuator	Reference	Actuator	Reference	Actuator	Reference
 <p>8064 with connecting cable</p> <p>01228E00</p>		000		101		102		103
		121		122		123		124
		241		242		243		244
		245		246		247		248
		249		261		262		163
	 <p>8064 with single cores</p> <p>01230E00</p>		164		266		173	
								
<b>Contact:</b>	Snap-action contact $2 \times \geq 0.3 \text{ mm}$					8064/.1-...-...		
<b>Connection</b>	Single cores, H07G-K					8064/1.-...-...		
	Connecting cable H05VV-F					8064/2.-...-...		
<b>Contact material:</b>	Silver					8064/..-1.-...-...		
	Gold-plated silver					8064/..-3.-...-...		
<b>Switching arrangement:</b>		8064/..-10.-...-...			8064/..-30.-...-...			
		8064/..-20.-...-...			8064/..-40.-...-...*)			
<b>Cable length:</b>	0.5 m					8064/..-...-05...		
	1.0 m					8064/..-...-10...		
	3.0 m					8064/..-...-30...		


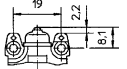
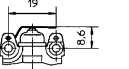
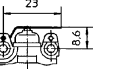
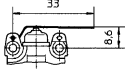

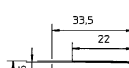
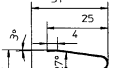
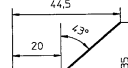

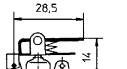
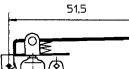
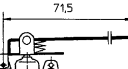
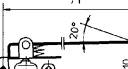

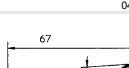


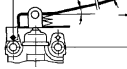
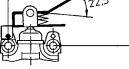
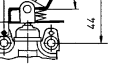
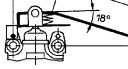

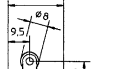

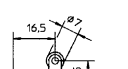
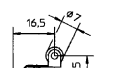
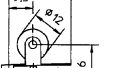

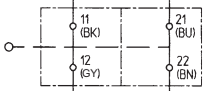
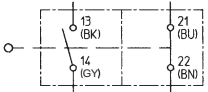
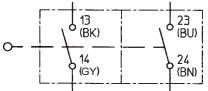
\*) for same potential only

# Micro Limit Switch

## Series 8064



### Double Micro Limit Switch with Snap-Action Contact, Contact Distance $2x \geq 0.3 \text{ mm}$


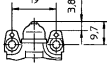
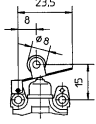
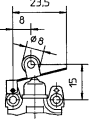
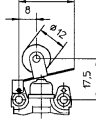

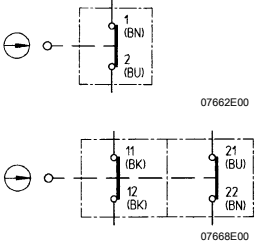
Version	Actuator	Reference	Actuator	Reference	Actuator	Reference	Actuator	Reference
 01228E00 8064 with connecting cable		<b>000</b>		<b>101</b>		<b>102</b>		<b>103</b>
		<b>121</b>		<b>122</b>		<b>123</b>		<b>124</b>
 01230E00 8064 with single cores		<b>241</b>		<b>242</b>		<b>243</b>		<b>244</b>
		<b>245</b>		<b>246</b>		<b>247</b>		<b>248</b>
		<b>249</b>		<b>261</b>		<b>262</b>		<b>263</b>
		<b>164</b>		<b>266</b>		<b>173</b>		<b>163</b>
		<b>04383E00</b>		<b>04385E00</b>		<b>04386E00</b>		
	Metal roller		Plastic roller		Metal roller		Plastic roller	
					Adjusting screw			
<b>Contact:</b>	Snap-action contact $2x \geq 0.3 \text{ mm}$						8064/1-...-...	
<b>Connection</b>	Single cores, H07G-K						8064/1-...-...	
	Connecting cable H05VV-F						8064/2-...-...	
<b>Contact material:</b>	Silver						8064/..-1-...-...	
	Gold-plated silver						8064/..-3-...-...	
<b>Switching arrangement:</b>	Switching chamber 2 Switching chamber 1						Switching sequence	
	Switching sequence						Switching sequence	
	A 8064/..-11-...-...						A 8064/..-33-...-...	
	B 8064/..-16-...-...						B 8064/..-38-...-...	
	A 8064/..-21-...-...						A 8064/..-44-...-...*)	
	B 8064/..-26-...-...						B 8064/..-49-...-...*)	
	A 8064/..-22-...-...						*) for same potential only	
	B 8064/..-27-...-...						only for single cores	
<b>Switching sequence:</b>	A Switching chamber 1 and switching chamber 2 switch nearly simultaneously							
	B Switching chamber 1 switches reliably before switching chamber 2							
<b>Cable length:</b>	0.5 m						8064/..-...-05-...	
	1.0 m						8064/..-...-10-...	
	3.0 m						8064/..-...-30-...	

E4




# Micro Limit Switch

## Series 8064

### Micro Limit Switch with Positive Opening Contact, Contact Distance $2 \times \geq 1.5 \text{ mm}$

Version	Actuator	Reference	Actuator	Reference	Actuator	Reference	Actuator	Reference
 01228E00 8064 with connecting cable	 04387E00	000	 04360E00 Plastic roller	261	 04360E00 Metal roller	262	 04388E00 Plastic roller	266
 01230E00 8064 with single cores	<b>Contact:</b> Positive opening contact $2 \times \geq 1.5 \text{ mm}$ <b>Connection:</b> Single cores, H07G-K Connecting cable H05VV-F <b>Contact material:</b> Silver Gold-plated silver <b>Switching arrangement:</b>  <b>Cable length:</b> 0.5 m 1.0 m 3.0 m		8064/.5-...-... 8064/1-...-... 8064/2-...-... 8064/..-1-...-... 8064/..-3-...-... 8064/..-50-...-... 8064/..-55-...-... 8064/..-...-05-... 8064/..-...-10-... 8064/..-...-30-...					

### Explosion Protection

	8064/1 (with single cores)	8064/2 (with connecting cable)
<b>Europe (ATEX)</b>		
Gas	PTB 99 ATEX 1064 U  II 2 G Ex d IIC	PTB 02 ATEX 1031 X  II 2 G Ex d IIC T6
Dust	-- --	IBExU 04 ATEX 1125 X  II 2 D Ex td A21 IP66 T80°C
<b>Certifications and certificates</b>		
Certificates	ATEX, Russia (GOST R), Belarus (operating authorisation)	ATEX, Russia (GOST R), Belarus (operating authorisation)

# Micro Limit Switch

## Series 8064



### Technical Data

#### Electrical data

Rated operational voltage	max. 400 V AC, 250 V DC		
Rated operational current	depending on the service category AC-15: 400 V / 2 A DC-13: 250 V / 0,15 A		
Switching capacity	according to IEC/EN 60947-5-1		
	AC	Resistive load	Inductive load cosφ = 0.6
	400 V	3 A	2 A
	250 V	5 A	3 A
	30 V	7 A	5 A
	DC	Resistive load	Inductive load cosφ = 0.6
250 V	0.4 A	0.03 A	
30 V	7 A	5 A	
Rated insulation voltage	400 V		
Electrical load of the gold-plated contacts	Voltage: min. 5 V, max. 30 V Current: min. 4 mA, max. 400 mA The product of current and voltage must not exceed 0.12 VA.		

#### Ambient conditions

Ambient temperature	<b>8064/11, 8064/15, 8064/18 (1 pole)</b> for temperature class T6					<b>8064/21, 8064/25, 8064/28</b> for temperature class T6	
	40 °C	50 °C	60 °C	70 °C	75 °C	≤ 60 °C	75 °C
	9 A	7 A	6 A	--	3 A	7 A	3 A
	<b>8064/11, 8064/15, 8064/18 (2 poles)</b>						
	40 °C	50 °C	60 °C	70 °C	75 °C		
	7 A	6 A	5 A	--	2 A		

#### Mechanical data

Degree of protection	IP66 according to IEC/EN 60529			
Material	Thermoplastic			
Enclosure	Stainless steel			
Plunger	Stainless steel			
Additional actuator	Stainless steel			
Contacts	Silver or galvanically gold-plated silver			
Contact opening	snap-action contact	2 x ≥ 0.3 mm		
	positive opening contact	2 x ≥ 1.5 mm		
Rated switching distance	Pre-travel length	max. 0.9 mm		
	Post-travel length	min. 0.5 mm		
	Difference path length	max. 0.45 mm		
	Reverse travel length	0.9 mm		
	Repeatable accuracy	0.02 mm		
Switching force	Single switch	max. 2.0 N		
	Double switch	max. 3.6 N		
Restoring force	Single switch	min. 0.4 N		
	Double switch	min. 0.8 N		
Actuation velocity	≥ 10 µm/s			
Service life				
Mechanical	positive opening contact	> 1 x 10 <sup>6</sup> switching operations		
	snap-action contact	> 2 x 10 <sup>6</sup> switching operations		
Maximum switching frequency	1000 switching cycles/h			
Weight	Single limit switch	Cable length	with single cores	with connecting cable
		0.5 m	0.035 kg	0.060 kg
	1.0 m	0.065 kg	0.100 kg	
	3.0 m	0.170 kg	0.210 kg	
	Double limit switch	0.5 m	0.070 kg	0.080 kg
		1.0 m	0.120 kg	0.150 kg
		3.0 m	0.340 kg	0.415 kg

E4

# Micro Limit Switch

## Series 8064

### Technical Data

#### Mounting / installation

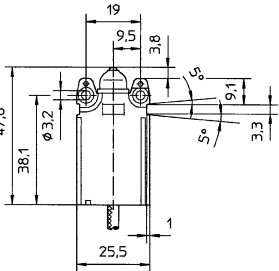
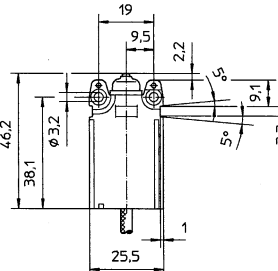


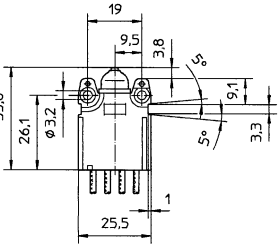
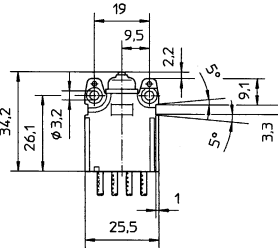
Connection cross-section

8064/1 (with single cores): H07G-K, cable length 0.5 m, 1.0 m, 3.0 m  
 8064/2 (with connecting cable): H05VV-F, cable length 0.5 m, 1.0 m, 3.0 m

Note

8064/1 (with single cores):  
 During installation, the devices must be protected mechanically.  
 8064/2 (with connecting cable):  
 The device must be built in into an enclosure compliant with the requirements of a recognised protection type according to IEC/EN60079-0, section 1.2. During installation in an enclosure of the protection type "Increased safety e" according to IEC/EN 60079-7, the clearance and creepage distances must be adhered to.

### Dimensional Drawings (All Dimensions in mm) - Subject to Alterations

 <p>04347E00</p>	 <p>04349E00</p>	 <p>04369E00</p> <p>Single micro limit switch</p>  <p>04370E00</p> <p>Double micro limit switch</p>
<p><b>8064/25 - ... - 000</b>                  Micro limit switch with connecting cable</p>  <p>04348E00</p>	<p><b>8064/21 - ... - 000</b>                  Micro limit switch with connecting cable</p>  <p>04350E00</p>	<p>For dimensions of actuators,                  see selection table</p>
<p><b>8064/15 - ... - 000</b>                  Built-in micro limit switch with single cores</p> <p><b>8064/.5</b>                  Micro limit switch with positive opening contact,                  contact distance <math>2x \geq 1.5</math> mm</p>	<p><b>8064/11 - ... - 000</b>                  Built-in micro limit switch with single cores</p> <p><b>8064/.1</b>                  Micro limit switch with snap-action contact,                  contact distance <math>2x \geq 0.3</math> mm</p>	

We reserve the right to make alterations to the technical data, dimensions, weights, designs and products available without notice. The illustrations cannot be considered binding.