

LED Indicating Lamp Series 8010



www.stahl.de



- > Indicating lamp with white LED
 - High luminance
 - Low heat build-up
 - Very long life
 - Maintenance-free
- > Ex e and Ex i versions
- > Calotte insert caps in the colours red, yellow, green, blue, clear

E4



02725E00

The indicating lamps of Series 8010 display the current state of a command by either switching on or switching off a light signal. In combination with a switchgear device, they indicate the switching state. The indicating lamp contains a white LED. The light signal is displayed via the transparent lamp insert cover equipped with a diffuser lens. This makes it easy to detect a light signal even in poor light conditions. The signal colours red, yellow, green, blue and white are produced by coloured calotte insert caps via colour filtering.






	ATEX / IECEx						Class I (NEC 505) (NEC 506)						Division		Class I		Class II		Class III	
	0	1	2	20	21	22	0	1	2	20	21	22	1	2	1	2	1	2		
Ex e version: For use in		x	x		x	x		x	x								x			
Ex i version: For use in		x	x		x	x	x	x	x								x	x		

WebCode 8010A

LED Indicating Lamp

Series 8010

Selection Table

Version	Description	Circuit diagram	Colour	Order number	Weight kg
 01393E00 LED indicating lamp 8010/2 Ex e	Rated voltage: 12 ... 254 V AC / DC Voltage toleranz: - 10 ... + 6%	 08001E00	white	8010/2-01-ws	0.035
 01825E00 LED indicating lamp 8010/3 Ex i	Voltage: 10.8 ... 30 V AC / DC Safety maximum values (Ex i): $U_i \leq 30 \text{ V}$ $I_i \leq 150 \text{ mA}$ $P_i = 1 \text{ W}$	 08001E00	white	8010/3-02-ws	0.034
 01394E00 Lenses 8602A			red yellow green blue white	8602A0054-1-rt 8602A0054-1-ge 8602A0054-1-gn 8602A0054-1-bl 8602A0054-1-ws	0.024 0.024 0.024 0.024 0.024

Explosion Protection

Marking

IECEX

Ex d e IIC
 Ex d ia/ib IIC
 Ex d e I
 Ex d ia/ib I

Europe (ATEX)

⊕ II 2 G Ex d e IIC
 ⊕ II 2 G Ex d ia/ib IIC
 ⊕ I M 2 Ex d e I
 ⊕ I M 2 Ex d ia/ib I

Certificates

IECEX

Europe (ATEX)

Other certificates

IECEX PTB 06.0016 U

PTB 01 ATEX 1160 U

India (PESO), Canada (CSA), USA (UL), Belarus (Gospromnadzor)

Technical Data

Electrical data

Rated operational voltage

Ex e: 12 (- 10 %) ... 254 (+ 6 %) V AC / DC
 Ex i: 10.8 ... 30 V

Safety-specific maximum values (Ex i)

$U_i \leq 30 \text{ V}$, $I_i \leq 150 \text{ mA}$, $P_i \leq 1 \text{ W}$, inductance L_i and capacity C_i negligible

Frequency range

0 ... 60 Hz

Rated operational current

max. 15 mA

Rated operational power

max. 1 W

Electrical life

10^5 lighting hours

Luminous characteristics

Lamps

white LED

Colour

red, yellow, green, blue, white; via coloured lenses
 (not included in delivery)

Ambient conditions

Ambient temperature

- 20 ... + 55 °C
 further on request

Mechanical data

Enclosure material

Polyamide

Terminals

2.5 mm², flexible

Lens

Version

∅ 38 mm, colour: red, yellow, green, blue and clear

Mechanical data

Degree of protection

IP66

Material

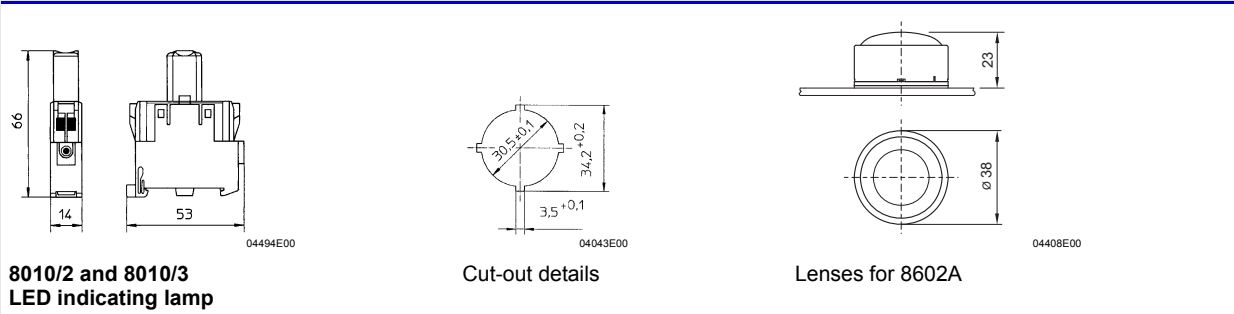
Polyamide

LED Indicating Lamp

Series 8010



Dimensional Drawings (All Dimensions in mm) - Subject to Alterations



We reserve the right to make alterations to the technical data, weights, dimensions, designs and products available without notice. The illustrations cannot be considered binding.