


# Two-Hole Straps

For Threaded Rigid Conduit and IMC

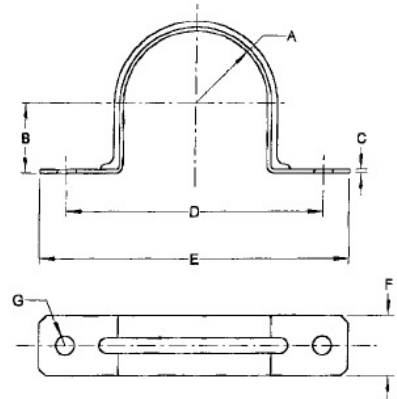
**Application:**  
Snap-on type two-hole straps for rigid conduit and IMC are used where higher load bearing supports are desired.

**Standard Materials:**  
Steel

**Standard Finish:**  
Zinc Plated

 **UL Listed:**  
E198338

## Steel



CATALOG NUMBER	TRADE SIZE	DIM A	DIM B	DIM C	DIM D	DIM E	DIM F	DIM G	UNIT PACK	STANDARD PACK	WEIGHT (LBS.) PER 100 PCS.	NAED MFG #78-5994 UPC/DCI #
2132S	1/2"	0.420	0.390	0.035	1.875	2.500	0.625	0.188	-	250	2	21327
2133S	3/4"	0.525	0.500	0.035	2.250	2.875	0.688	0.188	-	150	2	21337
2134S	1"	0.655	0.620	0.048	2.625	3.375	0.750	0.250	-	100	3	21347
2135S	1-1/4"	0.830	0.800	0.048	3.437	4.188	0.875	0.250	-	50	5	21357
2136S	1-1/2"	0.950	0.920	0.060	3.812	4.625	0.937	0.250	-	50	7	21367
2137S	2"	1.185	1.150	0.060	4.250	5.125	1.000	0.375	-	25	12	21377
2138S	2-1/2"	1.437	1.400	0.075	4.875	5.875	1.000	0.375	-	25	20	21387
2139S	3"	1.750	1.700	0.075	5.500	6.500	1.000	0.375	-	20	28	21397
2141S	3-1/2"	2.000	1.950	0.090	6.375	7.375	1.000	0.437	-	15	31	21417
2148S	4"	2.250	2.200	0.090	7.000	8.000	1.000	0.437	-	10	36	21487
2150S	5"	2.560	2.560	0.125	8.250	9.000	1.000	0.437	-	10	49	21507
2152S	6"	3.125	3.125	0.125	8.500	9.250	1.000	0.437	-	10	55	21527