

RIGID

Straps

For Rigid Conduit & IMC

Type: 2-Hole Strap

Application:

Snap-on type two-hole straps for rigid conduit and IMC are used where higher load bearing supports are desired.

Material/Finish:

Steel/Zinc Plated



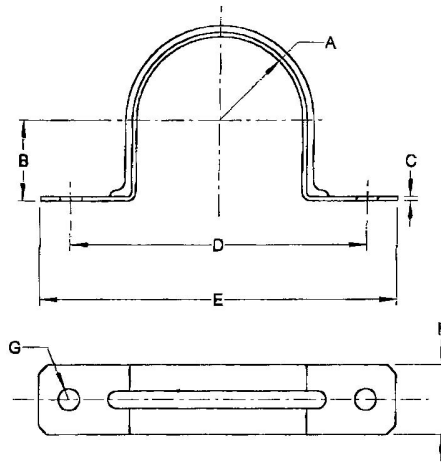
E186443



Trade Size (inches)	Catalog Number
½	2132S
¾	2133S
1	2134S
1¼	2135S
1½	2136S
2	2137S
2½	2138S
3	2139S
3½	2141S
4	2148S
5	2150S
6	2152S



Type 2133S



PART NO.	SIZE	A	B	C	D	E	F	G
2132S	½	.420	.390	.035	1.875	2.500	.625	.188
2133S	¾	.525	.500	.035	2.250	2.875	.688	.188
2134S	1	.655	.620	.048	2.625	3.375	.750	.250
2135S	1¼	.830	.800	.048	3.437	4.188	.875	.250
2136S	1½	.950	.920	.060	3.812	4.625	.937	.250
2137S	2	1.185	1.150	.060	4.250	5.125	1.000	.375
2138S	2½	1.437	1.400	.075	4.875	5.875	1.000	.375
2139S	3	1.750	1.700	.075	5.500	6.500	1.000	.375
2141S	3½	2.000	1.950	.090	6.375	7.375	1.000	.437
2148S	4	2.250	2.200	.090	7.000	8.000	1.000	.437
2150S	5	2.560	2.560	.125	8.250	9.000	1.000	.437
2152S	6	3.125	3.125	.125	8.500	9.250	1.000	.437