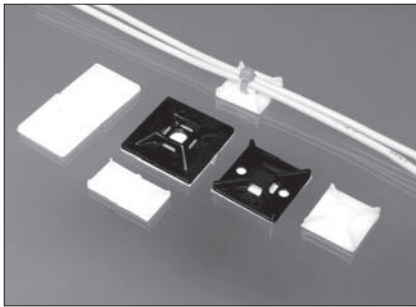


# MOUNT

## ● MOUNT BASE

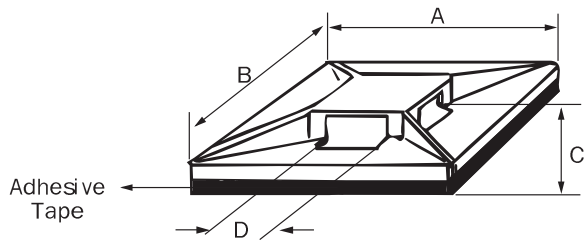


This versatile mount will support a maximum weight of 50 lb.(22.7kg) Where necessary for increased support, two holes are provided to accommodate #6 screws.

Material : NYLON 66. or ABS.

Color : Natural or Black

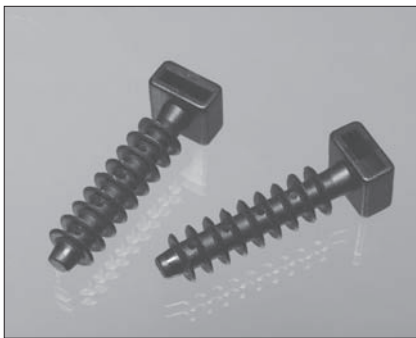
Recommended install temperature range : 21 °C



PART NO.	A	B	C	D	Method	Tensile (kg)
DAMB-05	12.7	12.7	3.6	2.8	(Adhesive)	12.0kg
DAMB-10	19.2	19.2	3.8	4.3	(Adhesive)	12.0kg
DAMB-20	25.0	25.0	4.0	5.0	(Adhesive)	23.0kg
DAMB-30	29.8	29.8	6.4	6.4	M4Screw	23.0kg
DAMB-101	21.2	21.2	4.0	4.1	(Adhesive)	12.0kg
DAMB-201	27.5	27.5	5.7	5.6	M4Screw	23.0kg

## ● MASONRY MOUNT

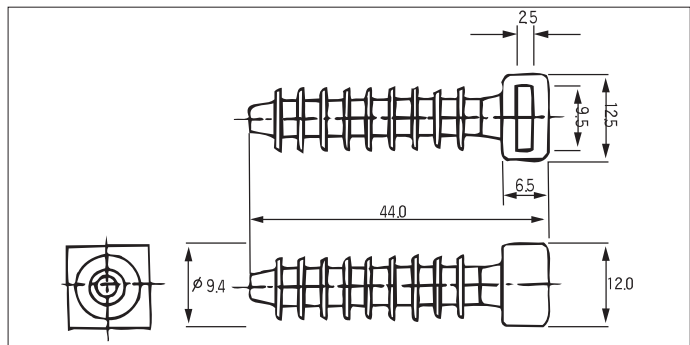
Part No.
MMB-1



Notes ;

1. Material : Nylon
2. Color : Black
3. Ideal for both indoor & outdoor applications.  
Permanent method of attaching wire & cable to masonry surface.

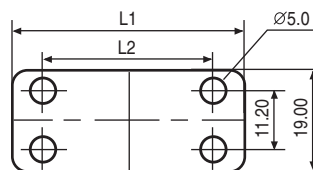
Masonry mount(MMB-1) simply taps into 8mm drilled hole.  
Accepts DACT-80 through DAMCT-530 series cable ties.



## ● MARKER PLATES



Dong-A Marker Plates can be marked with an oil pens or in a Marking machine. They can be used with Dong-A Cable Ties DACT Type up to 4.8mm widths and mounted in any directions vertical or horizontal as flags, tags or wrap-around identification plates.



- Material : PVC
- Color : Beige

PART NO.	DAMP-26	DAMP-32	DAMP-38	DAMP-51	DAMP-77
L1	38.0	44.5	50.8	63.5	89.0
L2	26.0	32.5	38.8	51.5	77.0