

# E1FW CABLE GLAND

Type of Cable Gland : DEX / E1FW

Cable Type : Single Wire Armoured(SWA) - Steel or Aluminum Wire Armoured.

Double Compression : Cable inner bedding & Outer Sheath.

Indoor and Outdoor use.

Operating Temperature : -60 to +100 as standard.

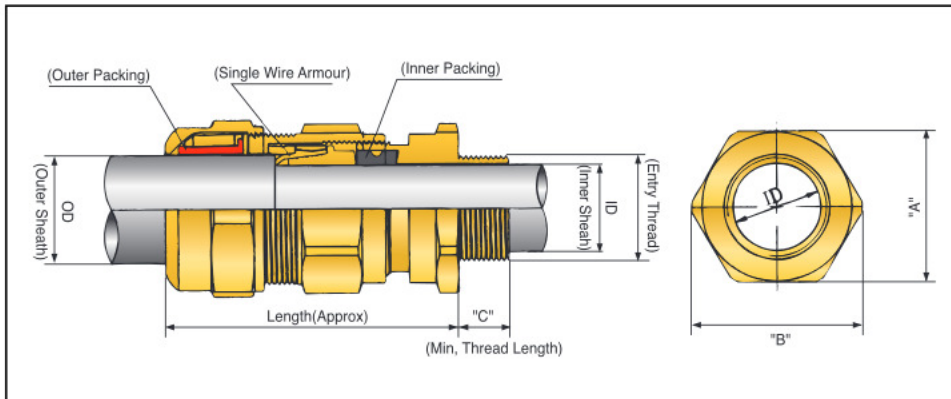
Materials : Brass, Brass with nickel plated and Stainless Steel 316.

According to BS, IEC & CENELEC suitable for use in Zone1, Zone2, Zone21 and Zone22,

Gas Groups, IIA, IIB and IIC.

Ingress Protection : IP66/67

Certificate No : Baseefa07ATEX0152X & IECEx BAS07.0039X



**ATEX  
IECEX  
KOSHA**



Gland size	Entry Thread size			Cable Acceptance Details							Hexagon Dimensions		Thread Length "c"		
				Inner Sheath 'ID'				Outer Sheath 'OD'		Armour Size					
	Metric	NPT	PG	Standard Seal	Alternative Seal (S)	Min.	Max.	Min.	Max.		Min.	Max.	Across Flats "A"	Across Corners "B"	Metric
DEX-2016	M16/M20	1/2"	PG13.5	3.0	6.5	-	-	7.0	12.0	0.9/1.25	24	26.8	15	20	15
DEX-20a	M20	1/2"	PG13.5	4.5	8.0	-	-	7.0	12.0	0.9/1.25	24	26.8	15	20	15
DEX-20b	M20	1/2"	PG13.5	7.5	10.5	5.0	8.0	11.0	16.0	0.9/1.25	24	26.8	15	20	15
DEX-20c	M20	1/2"	PG13.5	8.5	11.9	-	-	11.0	16.0	0.9/1.25	24	26.8	15	20	15
DEX-20d	M20	1/2"	PG13.5	11.0	14.3	8.5	12.5	14.3	20.0	0.9/1.25	30	33.5	15	20	15
		3/4"												20	
DEX-25a	M25	3/4"	PG21	13.0	20.2	9.5	15.4	18.5	26.0	1.25/1.6	36	40.5	15	20	15
		1"												25	
DEX-32	M32	1"	PG29	21.0	26.4	15.0	21.2	24.0	33.0	1.6/2.0	45.8	51.2	15	25	15
		1 1/4"												25.6	
DEX-40	M40	1 1/4"	PG36	25.0	31.7	22.0	28.0	30.0	41.0	1.6/2.0	55	61.5	15	25.6	15
		1 1/2"												26	
DEX-50	M50	1 1/2"	PG42	31.5	42.3	27.5	36.5	38.0	51.0	1.8/2.5	65	72.8	15	26	15
		2"			44.4									27	
DEX-63	M63	2"	-	42.5	54.3	39.0	47.0	48.0	64.0	1.8/2.5	80	89.5	15	27	-
		2 1/2"			56.3									40	
DEX-75	M75	2 1/2"	-	54.5	65.3	48.5	58.3	60.0	77.0	1.8/2.5	95	104.5	15	40	-
		3"			68.2									41.5	
DEX-80	M80	3 1/2"	-	67	73	60	68	75	89.5	1.8/3.2	107	114	20	42.7	-
DEX-90	M90	3 1/2"	-	67	77.6	60	68	75	89.5	1.8/3.2	115	123	20	42.7	-
DEX-100	M100	4"	-	76.5	91.6	70	81	88	104.5	1.8/3.2	128	139	20	44	-
DEX-115	M115	-	-	86.0	100.0	-	-	99.0	113.0	3.15/4.0	138	146.5	20	-	-
DEX-130	M130	-	-	98.0	113.0	-	-	110.0	125.0	3.15/4.0	150	162	20	-	-

## Accessories

Lock-Nut, Sealing washer, Serrated washer, Earth Tag and PVC Shroud - see page A31

## How to order

DEX-25a-M25

— Entry Thread Size(metric, NPT or PG)  
— Cable Gland Type & Size

# E1FX CABLE GLAND

Type of Cable Gland : DEX / E1FX

Cable Type : Wire Braid Armoured, Steel Tape Armoured or Screened Flexible Wire Braid.

Double Compression : Cable inner bedding & Outer Sheath.

Indoor and Outdoor use.

Operating Temperature : -60 to +100 as standard.

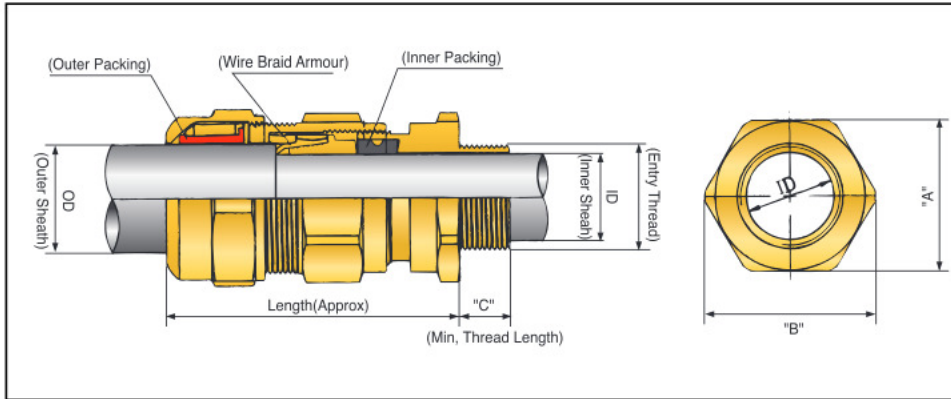
Materials : Brass, Brass with nickel plated and Stainless Steel 316.

According to BS, IEC & CENELEC suitable for use in Zone1, Zone2, Zone21 and Zone22,

Gas Groups, IIA, IIB and IIC.

Ingress Protection : IP66/67

Certificate No : Baseefa07ATEX0152X & IECEx BAS07.0039X



**ATEX  
IECEx  
KOSHA**

Gland size	Entry Thread size			Cable Acceptance Details							Hexagon Dimensions		Thread Length "c"		
				Inner Sheath 'ID'				Outer Sheath 'OD'		Armour Size	Across Flats "A"	Across Corners "B"	Metric	NPT	PG
	Standard Seal	Alternative Seal (S)		Min.	Max.	Min.	Max.	Min.	Max.						
DEX-2016	M16/M20	1/2"	PG13.5	3.0	6.5	-	-	7.0	12.0	0/0.7	24	26.8	15	20	15
DEX-20a	M20	1/2"	PG13.5	4.5	8.0	-	-	7.0	12.0	0/0.7	24	26.8	15	20	15
DEX-20b	M20	1/2"	PG13.5	7.5	10.5	5.0	8.0	11.0	16.0	0/0.7	24	26.8	15	20	15
DEX-20c	M20	1/2"	PG13.5	8.5	11.9	-	-	11.0	16.0	0/0.7	24	26.8	15	20	15
DEX-20d	M20	1/2"	PG13.5	11.0	14.3	8.5	12.5	14.3	20.0	0/0.7	30	33.5	15	20	15
		3/4"												20	
DEX-25a	M25	3/4"	PG21	13.0	20.2	9.5	15.4	18.5	26.0	0/0.7	36	40.5	15	20	15
		1"												25	
DEX-32	M32	1"	PG29	21.0	26.4	15.0	21.2	24.0	33.0	0/0.7	45.8	51.2	15	25	15
		1 1/4"												25.6	
DEX-40	M40	1 1/4"	PG36	25.0	31.7	22.0	28.0	30.0	41.0	0/0.7	55	61.5	15	25.6	15
		1 1/2"												26	
DEX-50	M50	1 1/2"	PG42	31.5	42.3	27.5	36.5	38.0	51.0	0/1.0	65	72.8	15	26	15
		2"			44.4									27	
DEX-63	M63	2"	-	42.5	54.3	39.0	47.0	48.0	64.0	0/1.0	80	89.5	15	27	-
		2 1/2"			56.3									40	
DEX-75	M75	2 1/2"	-	54.5	65.3	48.5	58.3	60.0	77.0	0/1.0	95	104.5	15	40	-
		3"			68.2									41.5	
DEX-80	M80	3 1/2"	-	67	73	60	68	75	89.5	0/1.0	107	114	20	42.7	-
DEX-90	M90	3 1/2"	-	67	77.6	60	68	75	89.5	0/1.0	115	123	20	42.7	-
DEX-100	M100	4"	-	76.5	91.6	70	81	88	104.5	0/1.0	128	139	20	44	-
DEX-115	M115	-	-	86.0	100.0	-	-	99.0	113.0	3.15/4.0	138	146.5	20	-	-
DEX-130	M130	-	-	98.0	113.0	-	-	110.0	125.0	3.15/4.0	150	162	20	-	-

## Accessories

Lock-Nut, Sealing washer, Serrated washer, Earth Tag and PVC Shroud - see page A31

## How to order

DEX-25a-3/4NPT

