

Copper Compression Connectors



YAV Line Hylug®

Non-insulated copper tubular terminals 0,3 - 1000 mm² for stranded and flexible conductor

Description

- Range of copper tube formed terminals taking wires from 0,3 - 1000 mm²

Construction

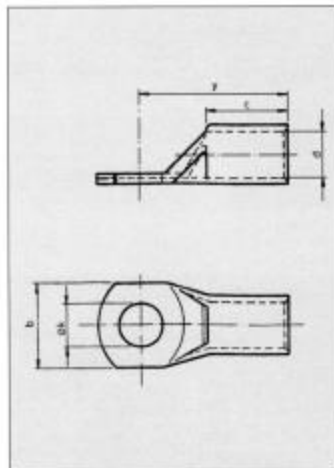
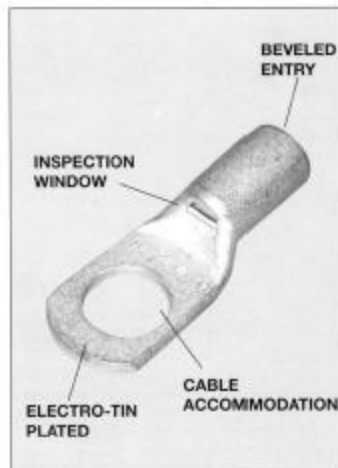
- Electrolytic copper tube, electro tinned

Performance

- Heat resistant up to +125°C

Tooling

- The indicated numbers in the tooling table refer to pages 48 - 63.



mm ²	Stud size	Cat. No.	d	y	b	c	Øk	Pack Qty	Mechanical tools		Hydraulic tools							
									Tooling number	MRD29	Y500CT BCT500	Y35/Y35BH Y750/Y750BH BAT35/BAT750	Y644M					
0,3 - 1,2	3,0	YAV18T4	1,4	13,7	4,8	6,9	3,1	10U	1 - 4A - 22									
	2,5	YAV18T5	1,4	15,5	6,1	6,9	3,7											
	4,0	YAV18T1	1,4	15,5	8,0	6,9	4,3											
	5,0	YAV18	1,4	15,5	8,0	6,9	5,1											
1,5 - 2,5	3,5	YAV025M35	2,3	13,7	6,0	6,9	3,7	100	1 - 4A - 22									
	4,0	YAV025M4	2,3	15,2	8,0	6,9	4,3											
	5,0	YAV025M5	2,3	15,2	8,0	6,9	5,3											
	6,0	YAV025M6	2,3	16,7	10,4	6,9	6,4											
2,5 - 4	8,0	YAV14T3	2,3	17,9	11,1	6,9	8,4	100	1 - 4A - 22									
	4,0	YAV04M4	2,6	15,2	6,9	6,9	4,3											
	5,0	YAV04M5	2,6	15,2	7,6	6,9	5,3											
	6,0	YAV04M6	2,6	16,7	9,1	6,9	6,4											
4 - 6	3,5	YAV06M35	3,3	17,9	7,0	9,5	3,7	50	1 - 2 - 4A 19 - 22									
	4,0	YAV06M4	3,3	19,4	8,0	9,5	4,3											
	5,0	YAV06M5	3,3	19,9	10,0	9,5	5,3											
	6,0	YAV06M6	3,3	20,9	11,0	9,5	6,4											
	8,0	YAV06M8	3,3	23,4	13,0	9,5	8,4											
	10,0	YAV10T38	3,3	22,5	14,2	9,5	10,5											
Flex 6	4,0	YAV06FM4	3,8	18,1	8,0	9,9	4,3	50	1 - 2 - 4A 19 - 22									
	5,0	YAV06FM5	3,8	19,1	9,7	9,9	5,3											
	6,0	YAV06FM6	3,8	20,1	11,0	9,9	6,4											
	8,0	YAV06FM8	3,8	22,1	13,0	9,9	8,4											
	10,0	YAV06FM10	3,8	24,1	14,0	9,9	10,5											
10	4,0	YAV10M4	4,6	19,4	10,3	12,0	4,3	50	1 - 2 - 3 - 4A 5A - 6 - 8 - 13 19 - 22	50NC1	N	I	N	I	N	I		
	5,0	YAV10M5	4,6	20,4	10,3	12,0	5,3											
	6,0	YAV10M6	4,6	21,4	11,1	12,0	6,4											
	8,0	YAV10M8	4,6	23,4	14,3	12,0	8,4											
	10,0	YAV10M10	4,6	25,4	14,3	12,0	10,5											
	12,0	YAV10M12	4,6	28,4	18,5	12,0	12,3											
16	5,0	YAV16M5	5,7	22,9	12,7	14,0	5,3	50	2 - 3 - 5A - 6 8 - 13 - 19 - 22	50NC1	50P1025C	W10C	W16C	WPOS	U10C	U16C	YPO1025C	DIELESS
	6,0	YAV16M6	5,7	23,9	12,7	14,0	6,4											
	8,0	YAV16M8	5,7	25,9	15,0	14,0	8,4											
	10,0	YAV16M10	5,7	27,9	15,0	14,0	10,5											
	12,0	YAV16M12	5,7	30,9	18,5	14,0	13,2											
	15,0	YAV16M15	5,7	33,9	21,5	14,0	15,5											
25	5,0	YAV25M5	7,2	24,7	13,9	15,0	5,3	50	3 - 5A - 6 8 - 13 - 19	50NC2	W25C	U25C						
	6,0	YAV25M6	7,2	25,7	13,9	15,0	6,4											
	8,0	YAV25M8	7,2	27,7	15,9	15,0	8,4											
	10,0	YAV25M10	7,2	29,7	15,9	15,0	10,5											
	12,0	YAV25M12	7,2	32,7	18,5	15,0	13,2											
	15,0	YAV25M15	7,2	35,7	21,5	15,0	15,5											

- All compression dies with indenter. For hexagonal dies, see page 22.
- N= Nest die, I= Indenter

Copper Compression Connectors



YAV Line

Hylug®

Non-insulated copper tubular terminals 0,3 - 1000 mm²

mm ²	Stud size	Cat. No.	d	y	b	c	Øk	Pack Qty	Mechanical tools				Hydraulic tools			
									Tooling number	MRD29		Y500CT BCT500		Y35/Y35BH Y750/Y750BH BAT35/BAT750		Y644M
										N	I	N	I	N	I	
35	5	YAV35M5	8,5	27,4	15,9	17,0	5,3	50	6 - 8 - 13 - 19	50MC2	50P95-70C	W35C	WPOS	UE5C	YPC3550C	DIELESS
	6	YAV35M6	8,5	29,4	15,9	17,0	6,4									
	8	YAV35M8	8,5	30,4	15,9	17,0	8,4									
	10	YAV35M10	8,5	32,4	15,9	17,0	10,5									
	12	YAV35M12	8,5	35,4	19,8	17,0	13,2									
50	5	YAV50M5	9,5	30,9	18,2	20,0	5,3	50	6 - 8 - 13 - 19	50MC2	50P95-70C	W50C	WPOS	U50C	YPC3550C	DIELESS
	6	YAV50M6	9,5	31,9	18,2	20,0	6,4									
	8	YAV50M8	9,5	33,9	18,2	20,0	8,4									
	10	YAV50M10	9,5	35,9	18,2	20,0	10,5									
	12	YAV50M12	9,5	38,9	19,8	20,0	13,2									
	14	YAV50M14	9,5	38,9	21,5	20,0	15,0									
	16	YAV50M16	9,5	41,9	22,4	20,0	17,0									
Flex 50	5	YAV50FM5	10,0	30,9	18,2	20,0	5,3	50	6 - 8 - 13 - 19	50MC2	50P95-70C	W50FC	WPOS	U50FC	YPC3550C	DIELESS
	6	YAV50FM6	10,0	31,9	18,2	20,0	6,4									
	8	YAV50FM8	10,0	33,9	18,2	20,0	8,4									
	10	YAV50FM10	10,0	35,9	18,2	20,0	10,5									
	12	YAV50FM12	10,0	38,9	21,8	20,0	13,2									
	14	YAV50FM14	10,0	38,9	21,8	20,0	15,0									
	16	YAV50FM16	10,0	41,9	22,4	20,0	17,0									
70	5	YAV70M5	11,3	32,4	21,4	21,0	5,3	25	6 - 8	50NC1-(2X)	50P95-120C	W70C	WPOS	U70C	YPC70300C	DIELESS
	6	YAV70M6	11,3	33,4	21,4	21,0	6,4									
	8	YAV70M8	11,3	35,4	21,4	21,0	8,4									
	10	YAV70M10	11,3	37,4	21,4	21,0	10,5									
	12	YAV70M12	11,3	40,4	22,4	21,0	13,2									
	14	YAV70M14	11,3	40,4	22,4	21,0	15,0									
	16	YAV70M16	11,3	43,4	22,4	21,0	17,0									
Flex 70	5	YAV70FM5	12,8	37,4	23,8	25,0	5,3	25	6 - 8	50NC1-(2X)	50P95-120C	W70FC	WPOS	U70FC	YPC70300C	DIELESS
	6	YAV70FM6	12,8	38,4	23,8	25,0	6,4									
	8	YAV70FM8	12,8	40,4	23,8	25,0	8,4									
	10	YAV70FM10	12,8	42,4	23,8	25,0	10,5									
	12	YAV70FM12	12,8	45,4	23,8	25,0	13,2									
	14	YAV70FM14	12,8	45,4	23,8	25,0	15,0									
	16	YAV70FM16	12,8	48,4	23,8	25,0	17,0									
95	8	YAV95M8	13,4	41,4	25,0	25,0	8,4	25	6	50NC2-(2X)	50P95-120C	W95C	WPOS	U95C	YPC70300C	DIELESS
	10	YAV95M10	13,4	43,4	25,0	25,0	10,5									
	12	YAV95M12	13,4	46,4	25,0	25,0	13,2									
	14	YAV95M14	13,4	46,4	25,0	25,0	15,0									
	16	YAV95M16	13,4	49,4	25,0	25,0	17,0									
	20	YAV95M20	13,4	58,4	29,0	27,0	21,0									
Flex 95	8	YAV95FM8	14,2	41,4	25,0	25,0	8,4	25	6	50NC2-(2X)	50P95-120C	W95FC	WPOS	U95FC	YPC70300C	DIELESS
	10	YAV95FM10	14,2	43,4	25,0	25,0	10,5									
	12	YAV95FM12	14,2	46,4	25,0	25,0	13,2									
	14	YAV95FM14	14,2	46,4	25,0	25,0	15,0									
	16	YAV95FM16	14,2	49,4	25,0	25,0	17,0									
	20	YAV95FM20	14,2	58,4	29,0	27,0	21,0									
120	8	YAV120M8	15,9	44,4	29,0	27,0	8,4	25	6	50NC1-(2X)	50P95-120C	W120C	WPOS	U120C	YPC70300C	DIELESS
	10	YAV120M10	15,9	46,4	29,0	27,0	10,5									
	12	YAV120M12	15,9	49,4	29,0	27,0	13,2									
	14	YAV120M14	15,9	49,4	29,0	27,0	15,0									
	16	YAV120M16	15,9	52,4	29,0	27,0	17,0									
	20	YAV120M20	15,9	58,4	29,0	27,0	21,0									
Flex 120	8	YAV120FM8	15,9	44,4	29,0	27,0	8,4	25	6	50NC1-(2X)	50P95-120C	W120FC	WPOS	U120FC	YPC70300C	DIELESS
	10	YAV120FM10	15,9	46,4	29,0	27,0	10,5									
	12	YAV120FM12	15,9	49,4	29,0	27,0	13,2									
	14	YAV120FM14	15,9	49,4	29,0	27,0	15,0									
	16	YAV120FM16	15,9	52,4	29,0	27,0	17,0									
	20	YAV120FM20	15,9	58,4	29,0	27,0	21,0									

- All compression dies with indenter. For hexagonal dies, see page 22.
- N= Nest die, I= Indenter

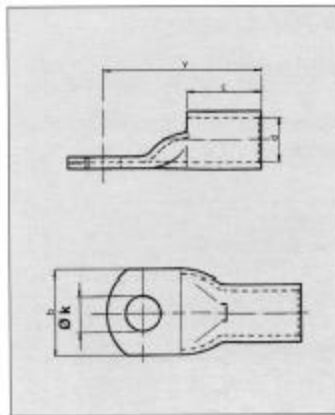
Copper Compression Connectors



YAV Line

Hylug®

Non-insulated copper tubular terminals 0,3 - 1000 mm²



mm ²	Stud size	Cat. No.	d	y	b	c	Øk	Pack Qty	Hydraulic tools													
									Y500CT		Y35/Y35BH		Y644M	Y260DBHM		Y46		UK				
									N	I	N	I		N	I	N	I	N	I			
150	10	YAV150M10	16,5	52,3	30,4	27,0	10,5	10	W150C	WPO6S	U150C	26M300										
	12	YAV150M12	16,5	55,3	30,4	27,0	13,2															
	14	YAV150M14	16,5	55,3	30,4	27,0	15,0															
	16	YAV150M16	16,5	58,3	30,4	27,0	17,0															
	20	YAV150M20	16,5	64,3	30,4	27,0	21,0															
Flex 150 UK	10	YAV150FM10	17,8	55,9	32,8	28,6	10,5	10	W150FC	WPO6S	U150FC	26M31D										
	12	YAV150FM12	17,8	58,9	32,8	28,6	13,2															
	14	YAV150FM14	17,8	58,9	32,8	28,6	15,0															
	16	YAV150FM16	17,8	61,9	32,8	28,6	17,0															
	20	YAV150FM20	17,8	67,9	32,8	28,6	21,0															
185	10	YAV185M10	18,4	61,8	35,7	30,2	10,5	10	U185C	U185C	26F00-34C											
	12	YAV185M12	18,4	64,8	35,7	30,2	13,2															
	14	YAV185M14	18,4	64,8	35,7	30,2	15,0															
	16	YAV185M16	18,4	67,8	35,7	30,2	17,0															
	20	YAV185M20	18,4	73,8	35,7	30,2	21,0															
Flex 185 UK	10	YAV185FM10	19,4	61,8	35,7	30,2	10,5	10	U185FC	U185FC	26M32D											
	12	YAV185FM12	19,4	64,8	35,7	30,2	13,2															
	14	YAV185FM14	19,4	64,8	35,7	30,2	15,0															
	16	YAV185FM16	19,4	67,8	35,7	30,2	17,0															
	20	YAV185FM20	19,4	73,8	35,7	30,2	21,0															
240	10	YAV240M10	21,2	66,2	39,6	34,9	10,5	10	U240C	U240C	26M34D											
	12	YAV240M12	21,2	71,2	39,6	34,9	13,2															
	14	YAV240M14	21,2	71,2	39,6	34,9	15,0															
	16	YAV240M16	21,2	74,2	39,6	34,9	17,0															
	20	YAV240M20	21,2	80,2	39,6	34,9	21,0															
Flex 240 UK	10	YAV240FM10	22,0	73,4	41,0	36,0	10,5	10	U240FC	U240FC	26M35BD											
	12	YAV240FM12	22,0	76,4	41,0	36,0	13,2															
	14	YAV240FM14	22,0	76,4	41,0	36,0	15,0															
	16	YAV240FM16	22,0	79,4	41,0	36,0	17,0															
	20	YAV240FM20	22,0	85,4	41,0	36,0	21,0															
300	12	YAV300M12	23,4	77,3	43,0	43,0	13,2	10	U300C	U300C	26F06C											
	14	YAV300M14	23,4	78,3	43,0	43,0	15,0															
	16	YAV300M16	23,4	80,3	43,0	43,0	17,0															
	20	YAV300M20	23,4	86,3	43,0	43,0	21,0															
	12	YAV300FM12	24,2	81,4	45,0	43,0	13,2															
Flex 300 UK	14	YAV300FM14	24,2	82,4	45,0	43,0	15,0	10	U300FC	U300FC	26M37BD											
	16	YAV300FM16	24,2	84,4	45,0	43,0	17,0															
	20	YAV300FM20	24,2	90,4	45,0	43,0	21,0															

- All compression dies with indenter. For hexagonal dies, see page 22.
- Y260DBHM takes U-Dies with adaptor 26UADP
- Y46 takes U-Dies with adaptor PUADP
- Y22BH takes U-Dies with adaptor 22UADP
- N= Nest die, I= Indenter

Copper Compression Connectors



YAV Line

Hylug®

Non-insulated copper tubular terminals 0,3 - 1000 mm²

mm ²	Stud size	Cat. No.	d	y	b	c	Øk	Pack Qty	Hydraulic tools										
									Y644M	Y260DBHM		Y46	UK-Y22BH		Y450DBHM				
									N	I	N	I	N	I					
350 (700 MCM)	12	YAV350M12	25,0	77,3	46,0	43,0	13,2	DIELESS	26M40D 26M40D/26M38D	26P-38C	P38D								
	16	YAV350M16	25,0	80,3	46,0	43,0	17,0												
	20	YAV350M20	25,0	86,3	46,0	43,0	21,0												
375 (750 MCM)	12	YAV375M12	26,2	81,3	48,0	43,0	13,2												
	16	YAV375M16	26,2	84,3	48,0	43,0	17,0												
	20	YAV375M20	26,2	90,3	48,0	43,0	21,0												
400	12	YAV400M12	26,7	81,3	49,5	43,0	13,2		26P40-45C	P40D	P400		EDPB1 + Y20PQ10	45M48D 45M38E/45M38C					
	14	YAV400M14	26,7	82,3	49,5	43,0	15,0												
	16	YAV400M16	26,7	84,3	49,5	43,0	17,0												
	20	YAV400M20	26,7	90,3	49,5	43,0	21,0												
Flex 400 UK	12	YAV400FM12	27,2	83,6	51,0	44,0	13,2												
	14	YAV400FM14	27,2	84,6	51,0	44,0	15,0												
	16	YAV400FM16	27,2	86,6	51,0	44,0	17,0												
	20	YAV400FM20	27,2	92,6	51,0	44,0	21,0												
500	12	YAV500M12	29,8	87,8	55,1	47,7	13,2	26M45D							P44D	P44PR	ED44BD	EDPB1 + Y20PQ11	45M44D
	14	YAV500M14	29,8	88,8	55,1	47,7	15,0												
	16	YAV500M16	29,8	90,8	55,1	47,7	17,0												
	20	YAV500M20	29,8	96,8	55,1	47,7	21,0												
630	16	YAV630M16	33,3	96,7	61,8	51,0	17,0												
	20	YAV630M20	33,3	102,7	61,8	51,0	21,0												
Flex 630 UK	22	YAV630FM20	34,4	104,6	63,0	53,0	21,0		P45D	HEAD	ED45BD	EDPB2 + Y22PQ11	45M45D						
	22	YAV630FM22	34,4	106,6	63,0	53,0	23,8												
800 (1500 MCM)	20	YAV800M20*	38,0	113,6	67,5	52,0	21,0							45P46-48C					
800 (1750 MCM)	20	YA47L*	39,6	116,4	67,5	52,0	21,0												
1000 (2000 MCM)	20	YA48L*	42,2	127,2	77,7	55,0	21,0												

- * Other stud sizes - on request. Undrilled palms - on request
- All compression dies with indenter. For hexagonal dies, see page 22.
- Y260DBHM takes U-Dies with adaptor 26UADP
- Y46 takes U-Dies with adaptor PUADP1

- Y22BH takes U-Dies with adaptor 22UADP
- Y450DBHM takes U-Dies with adaptor 45UADP
- N= Nest die, I= Indenter

